

# ComfortPac 42 x 16

PTAC, PTHP  
Sizes 07-15  
Vintages B and B+ (2)



To find your McQuay parts distributor, call 1-800-377-2787 or visit [www.mcquay.com](http://www.mcquay.com)

# Table of Contents

Parts List Revision History.....	3-4
Nomenclature .....	5
PTAC/PTHP ComfortPac	
Assembly Diagram.....	6
Components List.....	7-11
Loose/Optional Parts - Components List .....	12
Critical Parts List .....	CPL1

# Parts List Revision History

Revision	Date	Description
NEW	10/03	
A	04/2005	Page 5 - Switched bubble #s 14 and 15. Assigned bubble #25 to the Door on diagram. Page 6 - Added to bubble #15 another Electric Universal Heater Assembly for 265 V with pn 300039368, the previous listing had '208/230V' added to description. Page 7 - Added bubble #25 - Door to components list. Page 7 - Control Module, Main PTAC pn 300039325-added 208/230V for sizes 9,12 & 15. Page 7 - Control Module, Main PTAC pn 300039375-added 265V for sizes 9,12 & 15.
B	04/2005	All instances throughout RPL where it says 16 x 42 PTAC/PTHP were changed to read 42 x 16 PTAC/PTHP. Page 5 - Bub. 32 was changed to #33 & bub. 25 that was assigned to the door was changed to 32 (this #25 was already assigned to the motor).
C	04/2005	Page 6 - Bub #8 -Motor Bracket, Indoor pn was 300039315 the correct # is 300039316 Bub #9 -Scroll Assembly, Indoor pn was 300030316 the correct # is 300039317 Bub #10 -Scroll Assembly, Outdoor pn was 300039317 the correct # is 300039318 Bub #11 -Motor Bracket, Outdoor pn was 300039318 the correct # is 300039319 Bub #12 -Panel, Partition, Left pn was 300039319 the correct # is 300039320
D	07/2005	Added B+ Series units. Page 4: Updated Nomenclature. Page 7: Added part number for Control Pad without Sleep Timer. Pages 7 - 10: Added part numbers for B+ Series units.
E	07/2005	Page 8 - Bub. 25 Indoor Motor and Bub. 26 Outdoor Motor part numbers were corrected.
F	02/2006	Combined McQuay and Remington parts information into one Parts List.
G	03/2006	Page 6 - Bub. #9 pn was corrected from 300030317 to 300039317.
H	06/2006	Page 7 - Corrected description on some PTHP Control Box Assys to be "B+". Page 9 - Changed Blower Fan, Outdoor Prop. part no. for B+ units to be field-replacement kit 300040590.
J	11/06	Page 5 - Added Bub. #34 and the power cord to the dwg. Added bubbles 35, 36 & 37. Page 10 - Added Bub. #34 fixed factory power cord and Bubbles 35, 36 & 37-Labels.
K	5/2007	Page 5 - Added Bub. #23a. Page 7 - Bub. #15 Elect Univ Htr Ass'y 265V part # changed from 300039368 to 04149022537. Page 8 - Added Capacitor, Fan Motor , Outdoor for Size 012 & 015 units p/n 300039377. Page 9 - Added Bub. 23a Discharge Grille Only p/n 300043043, all sizes and voltages. Page 10 - Bub. 34 Power Cord -applies to 208/230V /unit sizes 009 & 012 only, (was listed for all sizes). Page 11 - Part Number 300039341 description changed from Remote Control Ass'y w/o sleep timer to Control Pad w/o sleep/timer.
L	4/2008	Page 6 - Added Compressor Overloads for all sizes Page 7 -Bub #17- Added **** Note about "B" vint boards no longer available Page 8 - Added sizes 12 & 15 to Control Module Dip Switch Board B vint only); Deleted Control Pad w sleep timer #300009327 and Control Pad w/o sleep timer #300039341; Added support bracket Assemblies Bubbles 21,22,23 Page 9 - 23a -Add Plastic Bi-directional DischargeAir Grille # 300043043. Add bub #32 OEM Touch-padAccess Door - McQuay p/n 300039301. Add Return Air Sensor Clip, ID Coil - Mounted p/n 12014016707 Delete Indoor Coil Sensor Assembly B Series p/n 3000039414 Page 10 - Added Cap Tube Assemblies all sizes Page 11 - Add shared B & B+ table. Added Remote Thermostat wire harness B Series only, delete Plate Connector guide;Add Switch Occupancy hinged door frame purger and magnetic contacts activated, add 24v wall thermostat plug connector #5030004178.

Continued on next page...

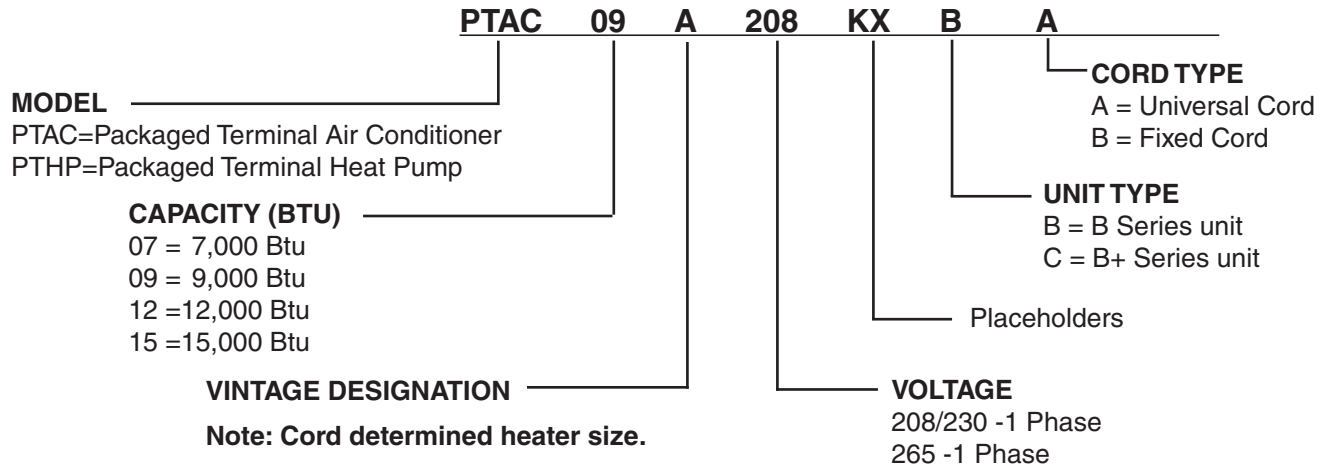


a member of **DAIKIN** group 13600 Industrial Park Blvd., P.O. Box 1551, Minneapolis, MN 55440 (763) 553-5330

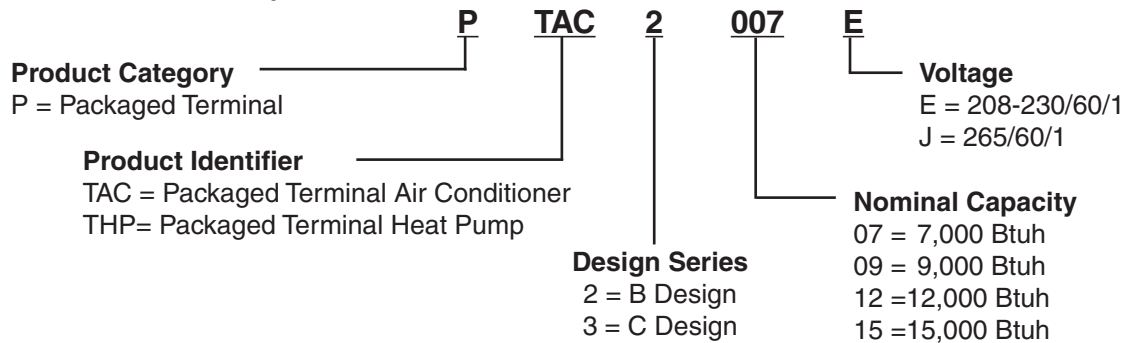
# Parts List Revision History

Revision	Date	Description
M	02/09 (Cont.)	<p>Page 6 - Add bubble #27a Fastener Kit, Indoor Blower Wheel.            Add bubbles #43, 44 and 45, Universal Power Plug Molex, Ctrl Box.</p> <p>Page 7 - Bub #17, Control Box Assembly, 265V remove p/n 300039428 and replace with **** footnote.</p> <p>Page 8 - Add Transformer p/n 04189021745 for 208/230V &amp; 04189021744 for 265V.            Add bubs #43, 44, 45 Universal Power Plug Molex p/ns 105531101, 105531101 and 105531101.            Add Footnote ***Used only on units that have a separate, field-installed, universal power cord that plugs into chassis control box.</p> <p>Page 9 - Remove Bub #28 p/n 300039340. Add (B &amp; B+ Series) to description for p/n 300040590.            Change footnote* from 'Fan Washer' to 'Mounting Hardware'.            Add Bub #27a Fastener Kit, Indoor Blower Wheel (B&amp;B+ Series) p/n 300045496.</p> <p>Page 10 - Change Sensor p/n 300039415 to p/n 300039414 and description to (B+ Series).            Change Description for p/n 300042645 to (B+ Series).            Change Description for p/n 300042646 to (B &amp; B+ Series).            Add Footnote for * and ** for power cords. Add Power Cord p/ns105575511 to 105575513, all 208/230V models and 105575801, 105575802, 105575804 and 105575803ELCI, all 265V models.            Remove duplicate Bub #38 kit p/n 300039334.</p> <p>Page 11 - Add Sticker, Blank-off, Top p/n 300040693 and Sticker, Blank-off, Bottom p/n 300040694.            Add Sticker, Unit-mounted, indicates Wall Thermostat.</p>
N	8/10	Page 5- Add MNN Product Description. Reformatted from PM6.5 to CS4. Repaginated the TOC.
O	9/11	<p>Page 8-9 Ref #15 Change p/n 300039323 and 4149022537 to (Discontinued- no longer available).            Add A50044099427 for size 007-012(265V) and A50044099426 size 015(265V).            Add A50044099429 size 007-012(208V) and A50044099428 size 015(265V).            Ref# 17 format change to add all control panel assembly components to page 8.</p> <p>Page CPL1 Add CPL.</p>
P	1/12	<p>Change unit sizes from 007-015 to 07-15.</p> <p>Page 12- Add Touch-pad w/motion sensor p/n 300040638.</p>

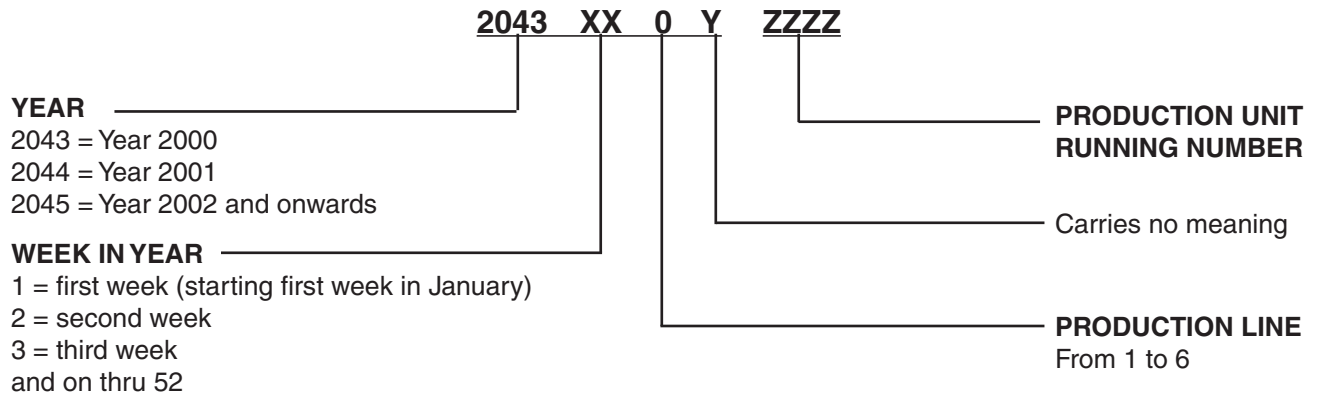
# Nomenclature



## MNN Product Description:



## Guide to OYLM Serial Numbers:



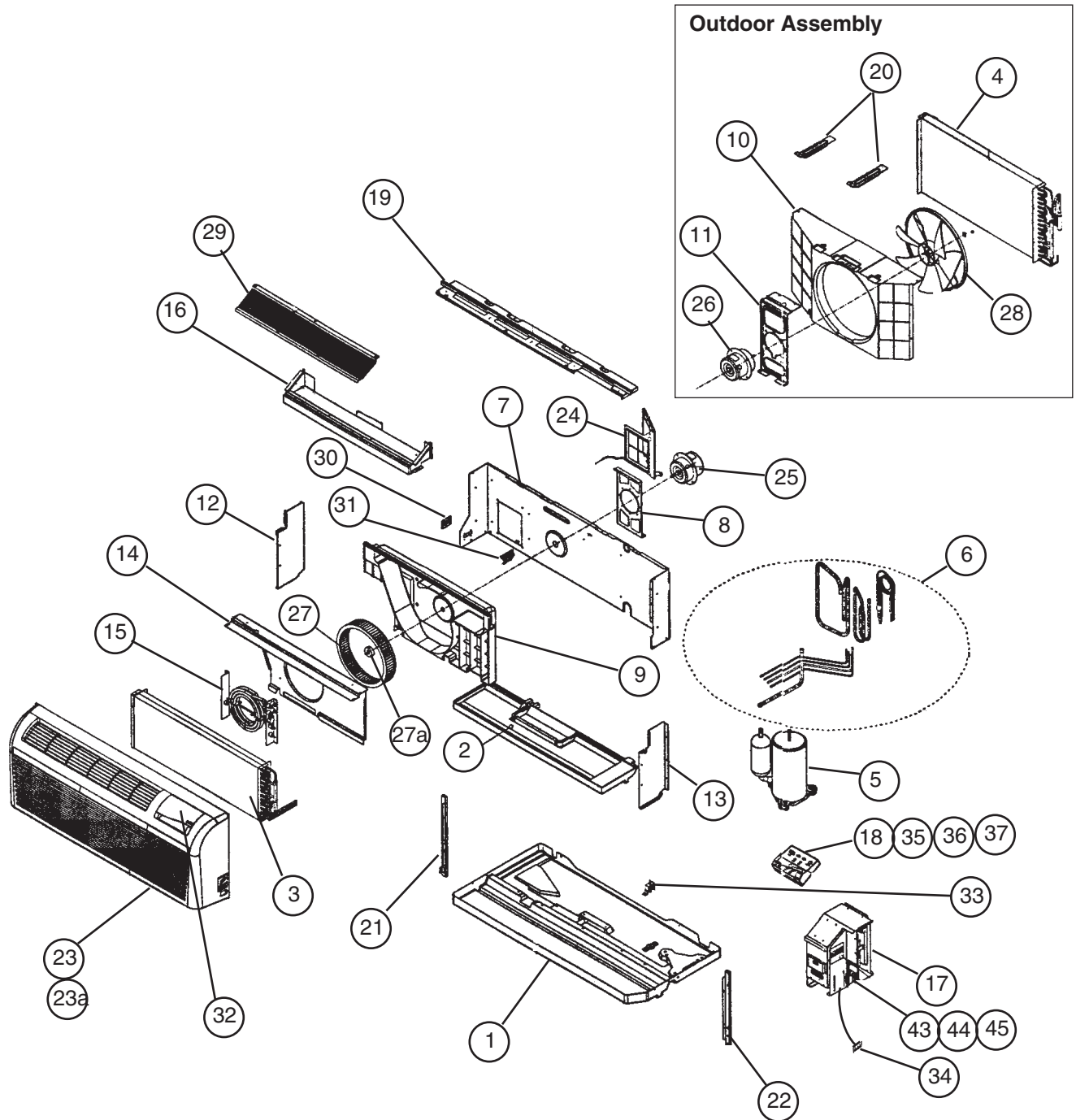
**EXAMPLE: 20444501-00138**

Means the unit was produced in the year 2001, week 45, line 1, unit number 00138.

*Note: the first week starts from the 1st week of January (from the 1st-7th of January 2001).*

# PTAC/PTHP ComfortPac

## Assembly Diagram



# PTAC/PTHP ComfortPac

## Components List

Bub. No.	Description	Part Number	Size/Voltage								
			07		09		12		15		
			208V/230V	265V	208V/230V	265V	208V/230V	265V	208V/230V	265V	
1	Base Pan Assembly	300039303	1	1	1	1	1	1	1	1	1
2	Drain Pan Assembly	300039304	1	1	1	1	1	1	1	1	1
3	Indoor Coil Assembly										
	Unit Sizes 007, 009	300039305	1	1	1	1					
	Unit Size 012	300039362					1	1			
	Unit Size 015	300039363							1	1	
4	Outdoor Coil Assembly										
	Unit Sizes 007, 009	300039306	1	1	1	1					
	Unit Size 012	300039350					1	1			
	Unit Size 015	300039351							1	1	
5	Compressor										
	Compressor, 2R10S236A6C	300039307	1								
	Compressor, 2R10S276A6B	300039364		1							
	Compressor, 2R13S236A6B	300039308			1						
	Compressor, 2R13S276A6B	300039365				1					
	Compressor, 2P17S236A1C	300039309					1				
	Compressor, 2P17S276A1C	300039366						1			
	Compressor, 2K21S236A6C	300039310								1	
	Compressor, 2K21S276A6C	300039367									1
N/S	Compressor, Overload Protector (OLP)	066536801	1								
N/S	Compressor, Overload Protector (OLP)	066536901		1							
N/S	Compressor, Overload Protector (OLP)	062918501			1						
N/S	Compressor, Overload Protector (OLP)	062918601				1					
N/S	Compressor, Overload Protector (OLP)	057479501					1				
N/S	Compressor, Overload Protector (OLP)	067282801						1			
N/S	Compressor, Overload Protector (OLP)	067299401								1	
N/S	Compressor, Overload Protector (OLP)	057458901									1
6	Unit Tubing Assembly										
	Unit Size 007	300039311	1	1							
	Unit Size 009	300039312			1	1					
	Unit Size 012	300039313					1	1			
	Unit Size 015	300039314							1	1	
7	Bulk Head Assembly	300039315	1	1	1	1	1	1	1	1	1
8	Motor Bracket, Indoor	300039316	1	1	1	1	1	1	1	1	1
9	Scroll Assembly, Indoor	300039317	1	1	1	1	1	1	1	1	1

N/S = Not shown on diagram

Continued on next page

# PTAC/PTHP ComfortPac

## Components List

Bub. No.	Description	Part Number	Size/Voltage								
			07		09		12		15		
			208V/230V	265V	208V/230V	265V	208V/230V	265V	208V/230V	265V	
10	Scroll Assembly, Outdoor	300039318	1	1	1	1	1	1	1	1	1
11	Motor Bracket, Outdoor	300039319	1	1	1	1	1	1	1	1	1
12	Panel, Partition, Left	300039320	1	1	1	1	1	1	1	1	1
13	Panel, Partition, Right	300039321	1	1	1	1	1	1	1	1	1
14	Panel, Heater Housing	300039322	1	1	1	1	1	1	1	1	1
15	Electric Heater Assembly										
	208/230v, B & B+ (Discontinued- no longer available)	300039323	1		1		1			1	
	265v, B & B+ (Discontinued- no longer available)	04149022537		1		1		1			1
	208/230v, B & B+	A50044099429	1		1		1				
	208/230v, B & B+	A50044099428								1	
	265v, B & B+	A50044099427		1		1		1			
	265v, B & B+	A50044099426									1
16	Panel, Air Guide Assembly	300039324	1	1	1	1	1	1	1	1	1
17	Control Box Assembly, PTAC										
	Universal, B Series	****	1		1						
	Universal, B Series	****		1		1					
	Universal, B Series	300039371						1			
	Universal, B Series	****							1		
	Universal, B Series	****								1	
	Universal, B Series	****									1
	Universal, B+ Series	300042648	1		1						
	Universal, B+ Series	300042649		1		1					
	Universal, B+ Series	300042650						1			
	Universal, B+ Series	300042651							1		
	Universal, B+ Series	300042652								1	
	Universal, B+ Series	300042653									1
17	Control Box Assembly, PTHP										
	Universal, B Series	300039425	1		1						
	Universal, B Series	****		1		1					
	Universal, B Series	300039427						1			
	Universal, B Series	****							1		
	Universal, B Series	300039429								1	
	Universal, B Series	300039430									1
	Universal, B+ Series	300042654	1		1						
	Universal, B+ Series	300042655		1		1					
	Universal, B+ Series	300042656						1			
	Universal, B+ Series	300042657							1		
	Universal, B+ Series	300042658								1	
	Universal, B+ Series	300042659									1

\*\*\*\* This "B" vintage control box assembly is no longer available. Replace with the comparable "B+" control box instead, & "B+" compatible touch-pad (#300042639) if upgrading to B+ controls for 1st time. Please note that the chassis will then become a B+ model, ending with -KXCA or -MXCA, for future replacement needs. Continued on next page



# PTAC/PTHP ComfortPac

## Components List

Bub. No.	Description	Part Number	Size/Voltage										
			07		09		12		15				
			208V/230V	265V	208V/230V	265V	208V/230V	265V	208V/230V	265V			
N/S	Control Module, Main												
	PTAC (B+ Series)	300042640	1		1		1			1			
	PTAC (B+ Series)	300042641		1		1		1			1		1
	PTHP (B+ Series)	300042642	1		1		1			1			
	PTHP (B+ Series)	300042643		1		1		1			1		1
N/S	Wire Harness Assembly												
	Unit Sizes 007, 009 PTAC	300039352	1	1	1	1							
	Unit Sizes 012, 015 PTAC	300039353					1	1	1	1			
	Unit Sizes 007, 009 PTHP	300039434	1	1	1	1							
	Unit Sizes 012, 015 PTHP	300039435					1	1	1	1	1	1	1
43***	Universal Power Plug Molex, Ctrl Box, Main Body	105531101	1	1	1	1	1	1	1	1	1	1	1
44***	Universal Power Plug Molex, Ctrl Box, Terminals, Female	105531701	8	8	8	8	8	8	8	8	8	8	8
45***	Universal Power Plug Molex, Ctrl Box, Retainer Clip	105531201	2	2	2	2	2	2	2	2	2	2	2
N/S	Control Module, Dip Switch Board (B Vintage only)	300039326	1	1	1	1	1	1	1	1	1	1	1
N/S	Transformer, 208V/230V/24V, 15VA	04189021745	1		1		1		1		1		1
N/S	Transformer, 265V/24V, 15VA	04189021744		1		1		1		1		1	
N/S	Capacitor, Compressor												
	Unit Sizes 007, 009	300039354	1	1	1	1							
	Unit Size 012	300039355					1	1					
	Unit Size 015	300039376									1	1	
N/S	Capacitor, Fan Motor, Indoor												
	Unit Sizes 007, 009	300039356	1	1	1	1							
	Unit Sizes 012, 015	300039357					1	1	1	1			
N/S	Capacitor, Fan Motor, Outdoor												
	Unit Sizes 007, 009	300039358	1	1	1	1							
	Unit Sizes 012, 015	300039377					1	1	1	1	1	1	1
18	OEM Touch-pad without Sleep Timer (B & B+ Vintage)	300042639	1	1	1	1	1	1	1	1	1	1	1
19	Top Panel Assembly	300039328	1	1	1	1	1	1	1	1	1	1	1
20	Support Bracket Assembly - Center	300039329	1	1	1	1	1	1	1	1	1	1	1
21	Support Bracket Assembly - Left	300039330	1	1	1	1	1	1	1	1	1	1	1
22	Support Bracket Assembly - Right	300039331	1	1	1	1	1	1	1	1	1	1	1

N/S = Not shown on diagram

\*\*\* Used only on units that have a separate, field-installed, universal power cord that plugs into chassis control box.

Continued on next page

# PTAC/PTHP ComfortPac Components List

Sub. No.	Description	Part Number	Size/Voltage							
			07		09		12		15	
			208V/230V	265V	208V/230V	265V	208V/230V	265V	208V/230V	265V
23	Plastic Front - Panel Assembly	300039332	1	1	1	1	1	1	1	1
23a	Plastic Bi-directional Discharge Air Grille Only	300043043	1	1	1	1	1	1	1	1
N/S	Air Intake Filter	300039359	2	2	2	2	2	2	2	2
N/S	Clip, Panel Front Frame	300039360	2	2	2	2	2	2	2	2
24	Damper Door, Assembly	300039333	1	1	1	1	1	1	1	1
25	Motor, Indoor									
	Unit Sizes 007, 009	208/230V	300039334	1		1				
	Unit Sizes 007, 009	265V	300039378		1		1			
	Unit Sizes 012	208/230V	300039335					1		
	Unit Sizes 012	265V	300039379						1	
	Unit Sizes 015 (PTAC units)	208/230V	300039336							1
	Unit Sizes 015 (PTHP units)	208/230V	300039433							1
	Unit Sizes 015	265V	300039380							1
26	Motor, Outdoor									
	Unit Sizes 007, 009	208/230V	300039337	1		1				
	Unit Sizes 007, 009	265V	300039381		1		1			
	Unit Sizes 012, 015	208/230V	300039338					1		1
	Unit Sizes 012, 015	265V	300039382						1	1
27	Blower Fan, Indoor	300039339	1	1	1	1	1	1	1	1
27a	Fastener Kit, Indoor Blower Wheel (B & B+ Series)	300045496	1	1	1	1	1	1	1	1
28	Blower Fan, Outdoor Propeller Kit* (B & B+ Series)	300040590	1	1	1	1	1	1	1	1
29	Discharge Air Grille, Wire Mesh Screen, B & B+	300039361	1	1	1	1	1	1	1	1
30	Cover, Damper Door	300039383	1	1	1	1	1	1	1	1
31	Bracket, Damper Door	300039384	1	1	1	1	1	1	1	1
32	OEM Touch-pad Access Door - McQuay	300039301	1	1	1	1	1	1	1	1
32	OEM Touch-pad Access Door - Remington	300039302	1	1	1	1	1	1	1	1
32	Label, Access Door, Unit Operations, B & B+	08024048371	1	1	1	1	1	1	1	1
N/S	Return Air Sensor Clip, ID Coil - Mounted	12014016707	1	1	1	1	1	1	1	1
N/S	Sensor, Return Air, Assembly (B Series)	300039413	1	1	1	1	1	1	1	1
N/S	Sensor, Return Air, Assembly (B+ Series)	300042647	1	1	1	1	1	1	1	1

N/S = Not shown on diagram

\* Field Replacement Kit includes Fan Prop, Mounting Hardware and Instructions.

Continued on next page

# PTAC/PTHP ComfortPac Components List

Bub. No.	Description	Part Number	Size/Voltage								
			07		09		12		15		
			208V/230V	265V	208V/230V	265V	208V/230V	265V	208V/230V	265V	
N/S	Sensor, Indoor Coil, Assembly (B+ Series)	300042645	1	1	1	1	1	1	1	1	1
N/S	Sensor, Indoor Coil, Assembly (B Series)	300039414	1	1	1	1	1	1	1	1	1
N/S	Sensor, Outdoor Coil, Assembly (B & B+ Series)	300042646	1	1	1	1	1	1	1	1	1
33	Drain Valve, DVIR1050, Ranco (PTHP only)	300039385	1	1	1	1	1	1	1	1	1
N/S	4-Way Reversing Valve, RJL, VH7100B (PTHP only)	300039419	1	1	1	1	1	1	1	1	1
N/S	Cap Tube Assembly (PTHP only)										
	Unit Sizes 007 208/230/265V	300039420	1	1							
	Unit Size 009 208/230V	300039421			1						
	Unit Size 009 265V	300039422				1					
	Unit Size 012 208/230/265V	300039423					1	1			
	Unit Size 015 208/230/265V	300039424							1	1	
N/S	Cap Tube Assembly (PTAC only)										
	Unit Size 007 208/230/265V	50024077171	1	1							
	Unit Size 009 208/230/265V	50024077172			1	1					
	Unit Size 012 208/230/265V	50024077173					1	1			
	Unit Size 015 208/230/265V	50024077174							1	1	
34**	Power cord - Fixed factory installed-20 amp, 208/230v	062218131			1		1				
N/S*	Power Cord, Universal, 208/230V,15A 2.0KW	105575511	1		1		1		1		
N/S*	Power Cord, Universal, 208/230V,15A 0.0KW	105575512	1		1		1		1		
N/S*	Power Cord, Universal, 208/230V, 20A 3.0KW	105575611	1		1		1		1		
N/S*	Power Cord, Universal, 208/230V, 30A 5.0KW	105575713	1		1		1		1		
N/S*	Power Cord, Universal, 265V, 20A 3.0KW	105575801		1		1		1		1	
N/S*	Power Cord, Universal, 265V, 20A 2.0KW	105575802		1		1		1		1	
N/S*	Power Cord, Universal, 265V, 20A 0.0KW	105575804		1		1		1		1	
N/S*	Power Cord, Universal, 265V, 20A 5.1KW	105575803ELCI		1		1		1		1	
35	Label, Top, Tan/White, Touch-pad Buttons B & B+	300040695	1	1	1	1	1	1	1	1	1
36	Label, Bottom, Black, LED lights B Vintage	300040696	1	1	1	1	1	1	1	1	1
37	Label, Bottom, Black, LED lights B+ Vintage	300040697	1	1	1	1	1	1	1	1	1

N/S = Not shown on diagram

\* Not all units have a separate, field-installed universal power cord. Some have a fixed, factory-installed power cord that is hard wired into the chassis control box.

\*\* Not all units have a fixed, factory-installed power cord. Some have separate, universal power cord that is field-installed by plugging into the chassis control box.

# PTAC/PTHP ComfortPac

## Loose/Optional Parts - Components List

### B & B+ Series Units Shared

Description	Part Number
Wall-mounted Thermostat Decorative Blank-off Cover	300039342
Sticker, Blank-off, Top, White/Tan	300040693
Sticker, Blank-off, Bottom, Black	300040694
Sticker, Unit-mounted, indicates Wall Thermostat	300042750
Infrared Transmitter with Sleep mode - Remington	PTACIRCTL-R
Infrared Transmitter without Sleep mode - McQuay. Used in Kit #PTACCIRW/OSM-M	300039387
OEM Touch-pad Access Door - McQuay	300039301
OEM Touch-pad Access Door - Remington	300039302
Touch-pad w/Motion Sensor- Remington	300040638
Wall-mounted OEM Touch-pad Wire Harness, 50 ft.	300039345
Wall-mounted OEM Touch-pad Wire Harness, 35 ft.	300039346
Wall-mounted OEM Touch-pad Wire Harness, 20 ft.	300039347

### B Series Units Only

Description	Part Number
Remote Thermostat Wire Harness, 5-Wire (B Series Only)	300039386
Front Desk Control Wire Assembly (B Series Only)	300040073

### B+ Series Units Only

Description	Part Number
G11 Handheld Remote	300042886
Motion Sensor, Occupancy, Ceiling Mounted	300042858
Motion Sensor, Occupancy, Wall mounted	300042859
Switch, Occupancy, Hinged Door Frame, Plunger activated	300042860
Switch Occupancy, Sliding Door / Window, Magnetic contacts activated	300042861
24V Remote Wall Thermostat Plug Connector Kit (required for T'stats by others, front-desk control, occupancy sensor)	5030004178

# Critical McQuay OEM Parts Are What Your McQuay HVAC Unit Needs!

## ComfortPac

### 42 X 16

#### PTAC, PTHP

#### Unit Sizes 07- 15 Vintages B and B+

CRITICAL COMPONENTS	MODEL	UNIT SIZE	VOLTAGE	PART NUMBER
<b>COMPRESSOR</b>				
1000 BTUH	ALL	07	208/230/60/1	300039307
1000 BTUH	ALL	07	265/60/1	300039364
1300 BTUH	ALL	09	208/230/60/1	300039308
1300 BTUH	ALL	09	265/60/1	300039365
1700 BTUH	ALL	12	208/230/60/1	300039309
1700 BTUH	ALL	12	265/60/1	300039366
2100 BTUH	ALL	15	208/230/60/1	300039310
2100 BTUH	ALL	15	265/60/1	300039367
<b>OUTDOOR MOTOR</b>				
Outdoor Motor	ALL	07, 09	208/230/60/1	300039337
Outdoor Motor	ALL	07, 09	265/60/1	300039381
Outdoor Motor	ALL	12, 15	208/230/60/1	300039338
Outdoor Motor	ALL	12, 15	265/60/1	300039382
<b>OUTDOOR WHEEL</b>				
Outdoor Fan Kit	ALL	ALL	N/A	300040590
<b>INDOOR MOTOR</b>				
Indoor Motor	ALL	07, 09	208/230/60/1	300039334
Indoor Motor	ALL	07, 09	265/60/1	300039378
Indoor Motor	ALL	12	208/230/60/1	300039335
Indoor Motor	ALL	12	265/60/1	300039379
Indoor Motor	PTAC	ALL	208/230/60/1	300039336
Indoor Motor	PTHP	ALL	208/230/60/1	300039333
Indoor Motor	ALL	15	265/60/1	300039380
<b>INDOOR WHEEL</b>				
Indoor Blower Wheel	ALL	ALL	ALL	300039339

Call Your Local McQuay Parts Distributor For All Your Parts Needs.  
To Locate A Distributor, Go To [www.mcquay.com](http://www.mcquay.com) or Call 1-800-37PARTS

