

RS HEATPUMP



FITS **16 3/8" x 44 7/8"** WALL SLEEVE

Premium, . . . meet Affordable!

REPLACEMENT FOR:

RS, PMRS

(McQuay, Singer, Remington, Snyder General)

ED (Islandaire)

ENERGY EFFICIENT -- Qualified for new construction ! Performance verified by 3rd party laboratory.

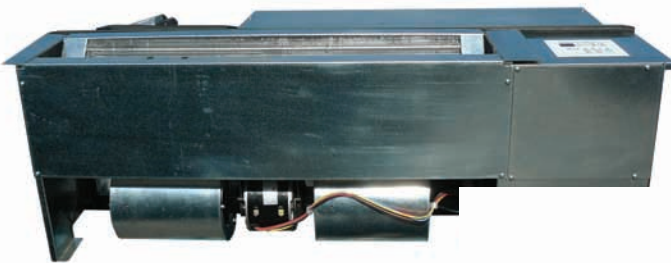
VERY QUIET -- Accoustic noise cancelling materials and optimized fan designs for **unmatched comfort**.

HIGH PERFORMANCE -- Superior high static pressure blower designs. Premium UL category 1 components for unmatched **reliability** and **durability**.

EASY INSTALLATION -- EXACT replacement, no sleeve or louver modifications -- works with RS front panel.

MODERN ELECTRONIC CONTROL -- Optional Electronic Touchpad controls switchable to 24v remote wall thermostat and EMS connection.

*New high performance design !
energy efficient! quiet! durable!*



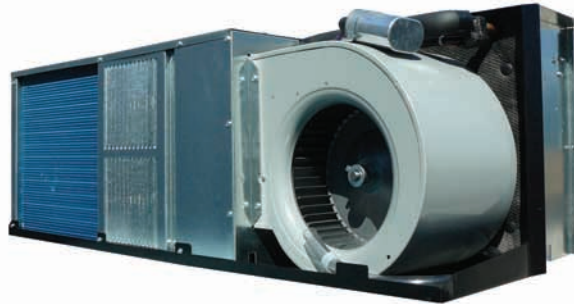
Electronic
or
Mechanical
Control



6 YEAR WARRANTY*

* 1ST YEAR PARTS AND LABOR
2ND TO 6TH YEAR COMPRESSOR PARTS
FREE PARTS SHIPPING
OPTIONAL 6 YEAR COMPRESSOR LABOR

Large slow-turning outdoor blower for highest efficiency and calm low decibels inside and outside !



VERIFIED FOR ENERGY PERFORMANCE

Accessories:

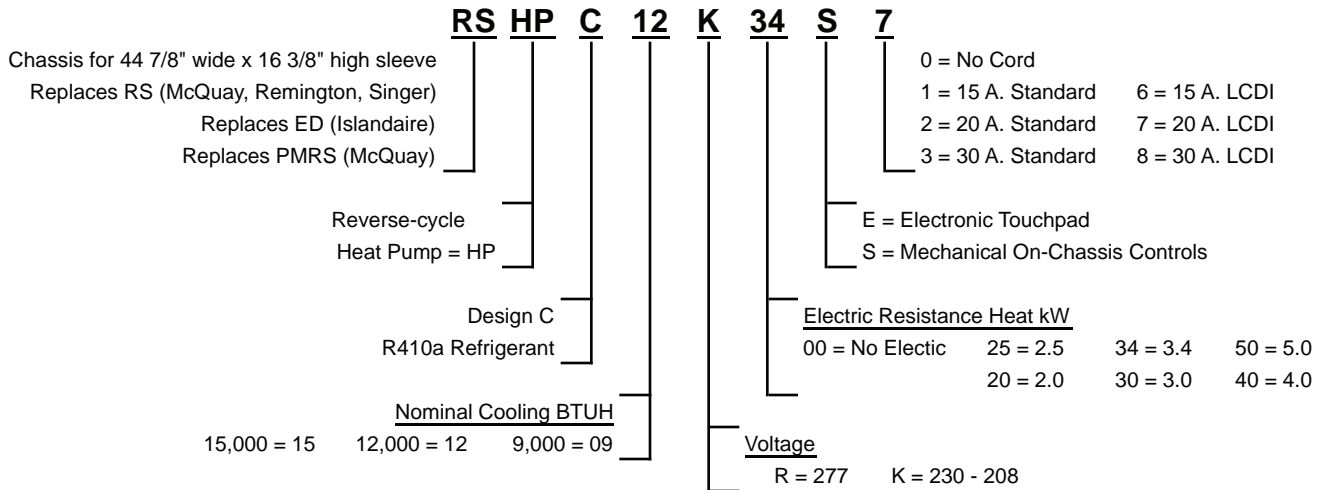
ACCRSFTCOVER	Room Front Cover -- Single panel Insulated -- washable aluminum filter sold separately
ACCRSWALLSLEEVE	Wall Sleeve -- 44 7/8" wide x 16 3/8" high x 20" deep. Also is exact replacement for existing McQuay EA sleeves -- includes Top Louver & Control Door (ACCEATPLOUVER). Note: Filter, and Front Covers are sold separately.
ACCRSFILTER	Aluminum Mesh Filter -- fits into ACCRSFTCOVER
ACCEATPLOUVER	Top Louver and Control Access Door for ACCRSWALLSLEEVE.
ACCEAAAGRILLE_ANODIZED	Aluminum Architectural Grille -- Anodized Silver
ACCEASSGRILLE_BEIGE	Stamped Steel Powder-Coated Grille -- Beige
ACCEASSGRILLE_SILVER	Stamped Steel Powder-Coated Grille -- Silver
ACCEASUBBASE_NOPOWER	Sub Base -- Powder-Coated Black -- No Power

Premium

www.airdistributors.com

Affordable

Applied COMFORT



RSHP Heat Pump with Electric Resistance Backup Heat

Model	Voltage	Hz	Cooling					Reverse-Cycle Heat		Resistance Heat			Min. Circuit Amps	MOP* Fuse Amps	Electrical Plug (NEMA)	Indoor CFM HIGH*	Indoor CFM LOW*	Vent CFM	Net Wt. lbs.	Ship Wt. lbs.
			BTU/Hr.	EER	Amps	S/T	Pts./hr.	BTU/Hr.	COP	BTU/Hr.	kW	Amps								
RSHPC09K00	230 - 208	60	9300	11.2	4.1	0.8	1.9	9700	3.3	0	0.0	0	6.2	15	#6-15P	370/350	325/300	90	136	150
RSHPC09K25	230 - 208	"	9300	11.2	4.1	0.8	1.9	9700	3.3	8900/7300	2.5/2.1	11.6/10.5	14.4	15	#6-15P	370/350	325/300	90	136	150
RSHPC09K34	230 - 208	"	9300	11.2	4.1	0.8	1.9	9700	3.3	12000/9900	4.5/4.7	15.5/14.1	19.3	20	#6-20P	370/350	325/300	90	136	150
RSHPC09K50	230 - 208	"	9300	11.2	4.1	0.8	1.9	9700	3.3	17400/14300	5/4.1	22.5/20.4	28	30	#6-30P	370/350	325/300	90	136	150
RSHPC12K00	230 - 208	"	12300	10.3	5.3	0.75	2.8	12800	3.1	0	0.0	0	8.1	15	#6-15P	370/350	325/300	90	136	150
RSHPC12K25	230 - 208	"	12300	10.3	5.3	0.75	2.8	12800	3.1	8900/7300	2.5/2.1	11.6/10.5	14.4	15	#6-15P	370/350	325/300	90	136	150
RSHPC12K34	230 - 208	"	12300	10.3	5.3	0.75	2.8	12800	3.1	12000/9900	4.5/4.7	15.5/14.1	19.3	20	#6-20P	370/350	325/300	90	136	150
RSHPC12K50	230 - 208	"	12300	10.3	5.3	0.75	2.8	12800	3.1	17400/14300	5/4.1	22.5/20.4	28	30	#6-30P	370/350	325/300	90	136	150
RSHPC15K00	230 - 208	"	14600	9.6	5.8	0.68	4.3	15200	3	0	0.0	0	8.8	15	#6-15P	370/350	325/300	90	136	150
RSHPC15K25	230 - 208	"	14600	9.6	5.8	0.68	4.3	15200	3	8900/7300	2.5/2.1	11.6/10.5	14.4	15	#6-15P	370/350	325/300	90	136	150
RSHPC15K34	230 - 208	"	14600	9.6	5.8	0.68	4.3	15200	3	12000/9900	4.5/4.7	15.5/14.1	19.3	20	#6-20P	370/350	325/300	90	136	150
RSHPC15K50	230 - 208	"	14600	9.6	5.8	0.68	4.3	15200	3	17400/14300	5/4.1	22.5/20.4	28	30	#6-30P	370/350	325/300	90	136	150
RSHPC09R00	277	"	9300	11.2	4.2	0.8	1.9	9300	3.3	0	0.0	0	5.8	15	#7-20P	380	335	90	136	150
RSHPC09R20	277	"	9300	11.2	4.2	0.8	1.9	9300	3.3	7200	2.0	8.0	9.9	15	#7-20P	380	335	90	136	150
RSHPC09R30	277	"	9300	11.2	4.2	0.8	1.9	9300	3.3	10600	3.0	11.6	14.4	15	#7-20P	380	335	90	136	150
RSHPC09R40	277	"	9300	11.2	4.2	0.8	1.9	9300	3.1	14000	4.0	15.2	19	20	#7-20P	380	335	90	136	150
RSHPC12R00	277	"	12300	10.3	5.4	0.75	2.8	12300	3.1	0	0.0	0	6.8	15	#7-20P	380	335	90	136	150
RSHPC12R20	277	"	12300	10.3	5.4	0.75	2.8	12300	3.1	7200	2.0	8.0	9.9	15	#7-20P	380	335	90	136	150
RSHPC12R30	277	"	12300	10.3	5.4	0.75	2.8	12300	3.1	10600	3.0	11.6	14.4	15	#7-20P	380	335	90	136	150
RSHPC12R40	277	"	12300	10.3	5.4	0.75	4.3	15200	3.1	14000	4.0	15.2	19	20	#7-20P	380	335	90	136	150
RSHPC15R00	277	"	14600	9.6	6.4	0.68	4.3	15200	3	0	0.0	0	8.4	15	#7-20P	380	335	90	136	150
RSHPC15R20	277	"	14600	9.6	6.4	0.68	4.3	15200	3	7200	2.0	8.0	9.9	15	#7-20P	380	335	90	136	150
RSHPC15R30	277	"	14600	9.6	6.4	0.68	4.3	15200	3	10600	3.0	11.6	14.4	15	#7-20P	380	335	90	136	150
RSHPC15R40	277	"	14600	9.6	6.4	0.68	4.3	15200	3	14000	4.0	15.2	19	20	#7-20P	380	335	90	136	150

*Time Delay Fuse or HCAR Circuit Breaker ---- °Dry Coil ---- °277v models are permanently connected using 20amp non-LCDI cords.

THIS IS PRELIMINARY DATA

--- APPLIED COMFORT WILL UPDATE THIS DATA TABLE ONCE 3rd PARTY ETL ENERGY VERIFICATION IS COMPLETE.

Specifications Subject to Change Without Notice

All brands and product names are trademarks or registered trademarks of their respective owners.

