

# ComfortPac 42 x 16

PTAC, PTHP  
Sizes 07-15  
Design C (3)



To find your McQuay parts distributor, call 1-800-377-2787 or visit [www.mcquay.com](http://www.mcquay.com)

# Table of Contents

Parts List Revision History.....	3-4
Nomenclature .....	5
Assembly Diagram .....	6
Components List.....	7-12
Loose/Optional Parts - Components List.....	12
Critical Parts List .....	CPL1

# Parts List Revision History

Revision	Date	Description
NEW	01/2006	New
A	02/2006	Combined McQuay and Remington parts information into one Parts List.
B	11/06	Page 5 - Added Bubble #42 (Power cord) to diagram Page 9 - Bubbles #30, 31 & 32 are now all included in bub #30 which is the Front Frame Assy. Bub #42* added-Power cords p/n's 062218131, 062218104 and 062218135. Page 10 - Added Sensor Assy's #300042647, #300042645 & #300042646.
C	1/2007	Page 9 - 1.) Bubbles 31 & 32 were added back in to the Ref. column 2.) the pn's were removed from the description 3.) quantities were added.
D	5/2007	Page 7 - Bub. #19 - Blower Fan, Outdoor Propeller # 300042644 is now a kit #50034093549. Bub. # 22 Heater Filament #04149023215 was removed. Added: Heater-Universal (2,3,5kW) or Fixed (2 kW) 208/230V, #04149025552 and Heater-Universal (2,3,5kW) or Fixed (2 kW) 256V, #04149025553; Heater-Fixed (3.6kW) 208/230V, #04149023215 and Heater-Fixed (3.6kW) 265V, #04149023216.
E	4/2008	Page 5 - Re-numbered bubbles 27-38 & 41 to match changes to components list. Page 6 - Added Compressor Over Load Protectors, Bub #5 description changed Page 7 - Bub #15 - Description is indoor fan bushing (left side), Bub #16 -Blower Indoor Cross Tangential Flow, Bub #19 - Outdoor Fan Propeller Kit, added Early Outdoor Fan Prop Kit p/n 30040590 all models, Bub #20 Outdoor fan Housing/Shroud, Bub #21- Added 'Fan' to decription. Page 9 - Added 'Control Box Top, Sheet Metal Only, Mounts Touch-pad' #50014096643 for all models. Re-numbered bubbles, re-named descriptions for bub's 27-39 & 41. Added Control Module CN5 #2030R00026. Page 10 - Added continuation of components list. Added Powercord, Universal Field Installed 0kW, 2kW,3kW,5kW. New Part numbers for Wire Harness Assemblies, added Return Air Sensor Clip #12014016707.
F	12/08	Page 5 - Add Bubbles #26a, 43, 44, 45. Page 6 - Add Compressor Wire Harness Assembly p/n 50139023506. Page 9 - Add Bub #26a-Control Box Top, Sheet Metal Only, Mounts Touch pad p/n 50014096643. Remove duplicate Control Box Top, Sheet Metal Only, Mounts Touch pad p/n 50014096643. Change Control Module CN5 p/n 2030R00026 to Control Module, CN5 Wire Harness (to Touch-pad Harness). Change Damper Door, Assembly p/n from 12014073148 to 50124076848. Bub #33 Add Panel & Grille, Front with footnote * Not available as a separate component. Page 10 - Add Bub #43***, Universal Power Plug Molex, Ctrl Box, Main Body p/n 105531101. Add Bub #44***, Universal Power Plug Molex, Ctrl Box Terminals, Female p/n 105531701. Add Bub #45***, Universal Power Plug Molex, Ctrl Box Retainer Clip p/n 105531201. Add Footnote " ***Used only on units with separate power cords that plug into chassis." Page 11 - Add Touch-up Paint, Antique Ivory p/n 061174723. Add Touch-up Paint, Oxford Brown p/n 061174724.
G	4/09	Page 5 - Move bubble 15 to below bubble 16. Page 7 - Ref # 10 change description from "Bearing & Bracket to "Bracket". Ref # 15 Change description from "Indoor Fan Bushing (right side)" to "(left Side)". Page 11 - Change Sensor, Outdoor Coil, Assembly p/n from 300042546 to 300042646.
H	8/10	Page 4- Add MNN Product Description. Reformatted entire document from PM6.5 to CS4.

Continued on the next page.

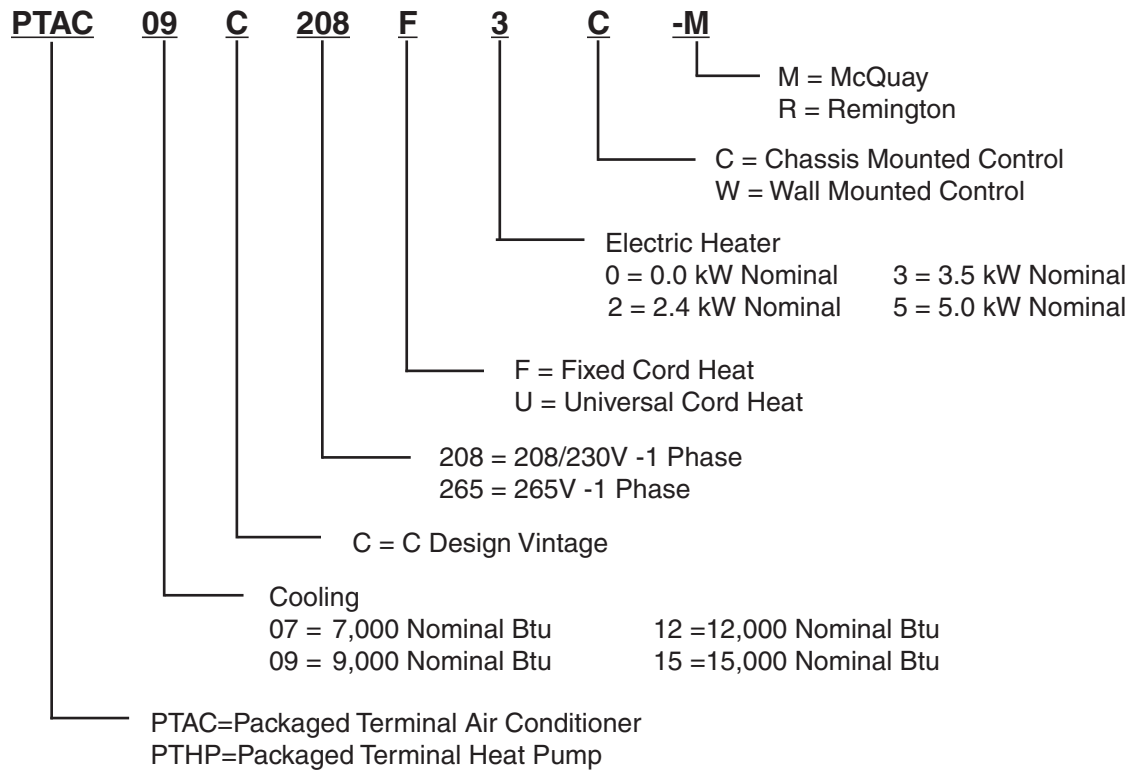


a member of **DAIKIN** group 13600 Industrial Park Blvd., P.O. Box 1551, Minneapolis, MN 55440 (763) 553-5330

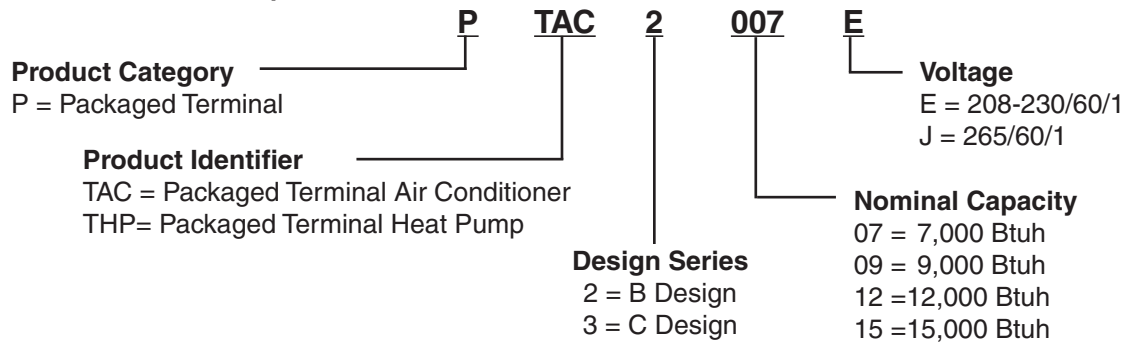
# Parts List Revision History

Revision	Date	Description
I	1/12	Change unit sizes from 007-015 to 07-15. Page 11- Add Touch-pad w/motion sensor p/n 300040638. CPL1- Add Critical Parts List.
J	2/12	Title Page- Change Vintage C to Design C (3). Delete the 3 after the unit models. Page 3 & 4- (Added page) for Parts List Revision History. Page CPL1- Change Vintage C to Design C. Delete the 3 after the unit models.

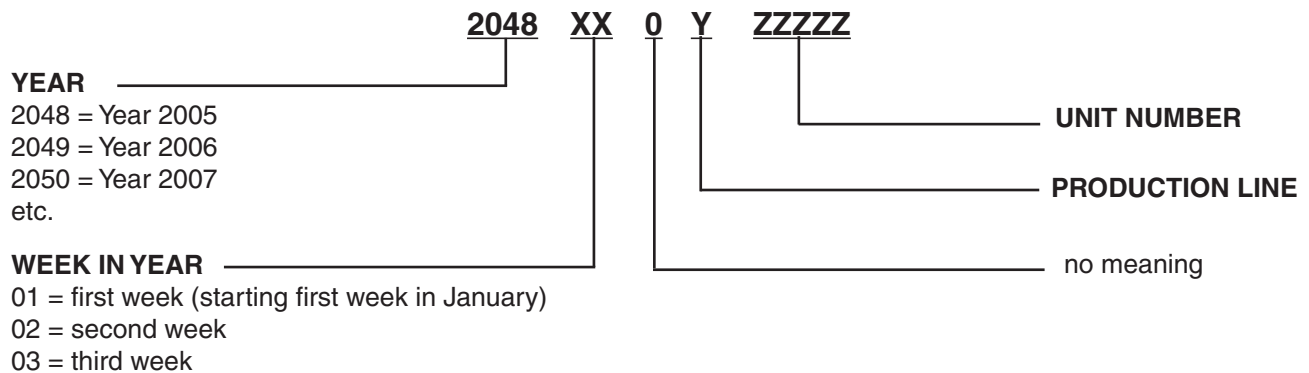
# Nomenclature



## MNN Product Description:

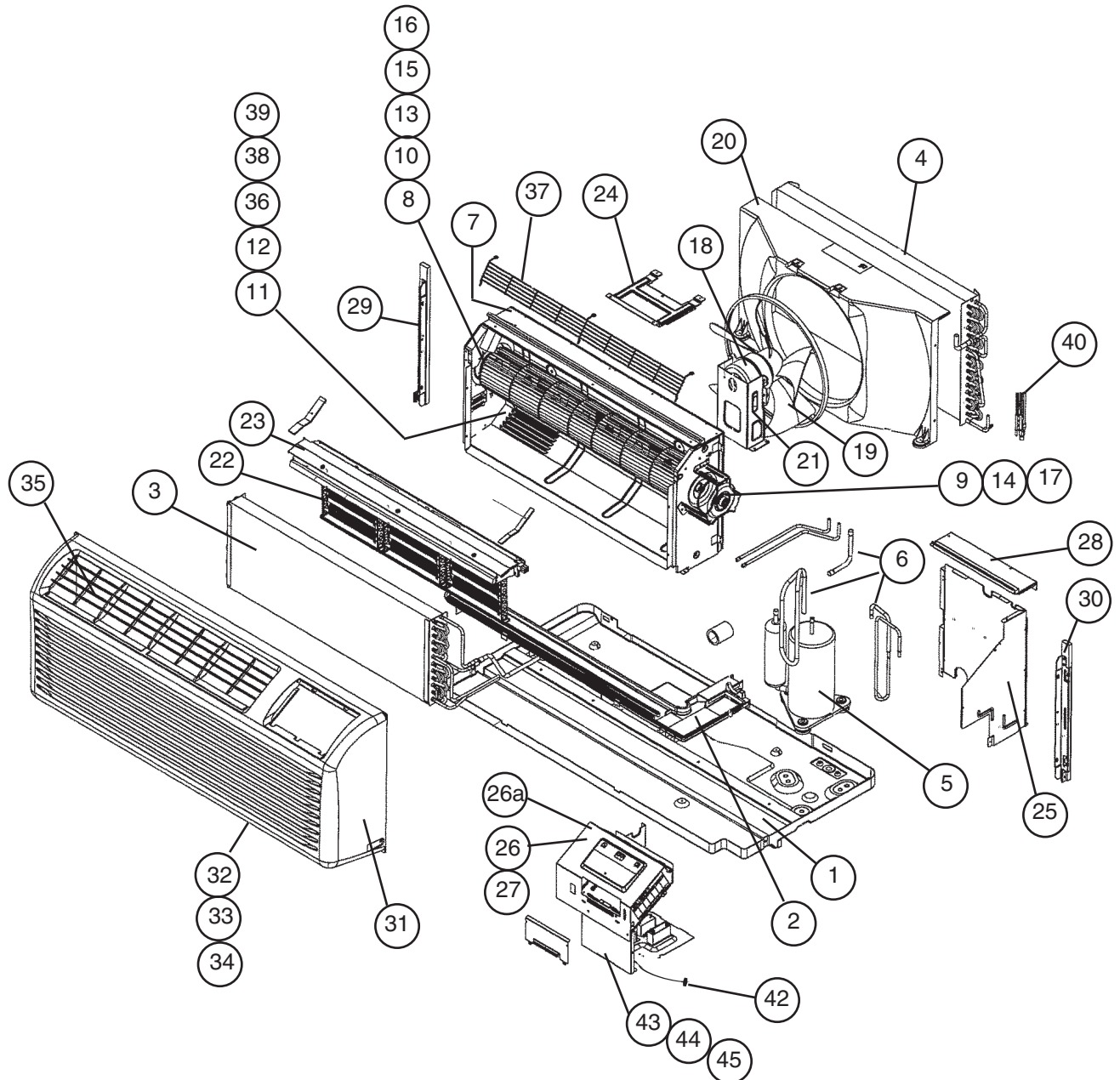


## Guide to OYLM Serial Numbers:



**EXAMPLE: 20484501-00138**  
The unit was produced in the year 2005, week 45, production line 1, unit number 00138.

# PTAC/PTHP ComfortPac Assembly Diagram



Note: PTAC 007 shown

# PTAC/PTHP ComfortPac

## Components List

Ref. No.	Description	Part Number	Size/Voltage								
			07		09		12		15		
			208V/230V	265V	208V/230V	265V	208V/230V	265V	208V/230V	265V	
1	Base Pan Assembly (PTAC)	50019023550	1	1	1	1	1	1	1	1	1
1	Base Pan Assembly (PTHP)	50019023805	1	1	1	1	1	1	1	1	1
2	Drain Pan Assembly	12014073146	1	1	1	1	1	1	1	1	1
3	Indoor Coil Assembly	50024075454	1	1	1	1					
3	Indoor Coil Assembly	50024074565					1	1			
3	Indoor Coil Assembly	50024077043							1	1	
4	Outdoor Coil Assembly	50024075455	1	1	1	1					
4	Outdoor Coil Assembly	50024074564					1	1	1	1	
5	Compressor, 2R10S236A6C	300039307	1								
5	Compressor, 2R10S276A6B	300039364		1							
5	Compressor, 2R13S236A6B	300039308			1						
5	Compressor, 2R13S276A6B	300039365				1					
5	Compressor, 2P17S236A1C	300039309					1				
5	Compressor, 2P17S276A1C	300039366						1			
5	Compressor, 2K21S236A6C	300039310							1		
5	Compressor, 2K21S276A6C	300039367								1	
N/S	Compressor, Overload Protector (OLP)	066536801	1								
N/S	Compressor, Overload Protector (OLP)	066536901		1							
N/S	Compressor, Overload Protector (OLP)	062918501			1						
N/S	Compressor, Overload Protector (OLP)	062918601				1					
N/S	Compressor, Overload Protector (OLP)	057479501					1				
N/S	Compressor, Overload Protector (OLP)	067282801						1			
N/S	Compressor, Overload Protector (OLP)	067299401							1		
N/S	Compressor, Overload Protector (OLP)	057458901								1	
N/S	Compressor Wire Harness Assembly	50139023506	1	1	1	1	1	1	1	1	1
6	Unit Tubing Assembly (PTAC)	50024077364	1	1							
6	Unit Tubing Assembly (PTHP)	50024077368	1	1							
6	Unit Tubing Assembly (PTAC)	50024077365			1	1					
6	Unit Tubing Assembly (PTHP)	50024077369			1	1					
6	Unit Tubing Assembly (PTAC)	50024077366					1	1			
6	Unit Tubing Assembly (PTHP)	50024077370					1	1			
6	Unit Tubing Assembly (PTAC)	50024077367							1	1	
6	Unit Tubing Assembly (PTHP)	50024077371							1	1	

N/S = Not shown on diagram

# PTAC/PTHP ComfortPac

## Components List

Ref. No.	Description	Part Number	Size/Voltage								
			07		09		12		15		
			208V/230V	265V	208V/230V	265V	208V/230V	265V	208V/230V	265V	
7	Panel, Bulk Head Assembly	01014071299	1	1	1	1	1	1	1	1	1
8	Bracket, Blower Indoor (left side)	01014074510	1	1	1	1	1	1	1	1	1
9	Motor Bracket, Indoor (right side)	01014071313	1	1	1	1	1	1	1	1	1
10	Bracket, Indoor (left side)	01014071312	1	1	1	1	1	1	1	1	1
11	Scroll Panel, Indoor	50019023739	1	1	1	1	1	1	1	1	1
12	Foam, Scroll Indoor	06084074412	1	1	1	1	1	1	1	1	1
13	Panel, Partition, Left (Air Guide)	12014073149	1	1	1	1	1	1	1	1	1
14	Panel, Partition, Right (Air Guide)	12014073150	1	1	1	1	1	1	1	1	1
15	Indoor Fan Bushing (left side)	11014029514	1	1	1	1	1	1	1	1	1
16	Blower, Indoor (Cross-tangential flow)	03029023214	1	1	1	1	1	1	1	1	1
17	Motor, Indoor	03039023609	1								
17	Motor, Indoor	03039023612			1		1		1		
17	Motor, Indoor	03039025557		1		1					
17	Motor, Indoor	03039025559						1		1	
18	Motor, Outdoor	03039023613	1		1						
18	Motor, Outdoor	03039023614					1		1		
18	Motor, Outdoor	03039025558		1		1					
18	Motor, Outdoor	03039025560						1		1	
19	Outdoor Fan Propeller Kit (after 204900xx-xxxxx)	50034093549	1	1	1	1	1	1	1	1	1
19	Early Outdoor Fan Propeller Kit (up to 204900xx-xxxxx)	300040590	1	1	1	1	1	1	1	1	1
20	Outdoor Fan Housing / Shroud	50124077063	1	1	1	1	1	1	1	1	1
21	Motor Bracket, Outdoor Fan	01014071307	1	1	1	1	1	1	1	1	1



# PTAC/PTHP ComfortPac

## Components List

Ref. No.	Description	Part Number	Size/Voltage							
			07		09		12		15	
			208V/230V	265V	208V/230V	265V	208V/230V	265V	208V/230V	265V
22	Heater-Universal (2,3,5kW) or Fixed (2 kW), 208/230V	04149025552	1		1		1		1	
22	Heater-Universal (2,3,5kW) or Fixed (2 kW), 265V	04149025553		1		1		1		1
22	Heater-Fixed (3.6kW), 208/230V	04149023215	1		1		1		1	
22	Heater-Fixed (3.6kW), 265V	04149023216		1		1		1		1
23	Panel, Air Guide Assembly	50014077070	1	1	1	1	1	1	1	1
24	Bracket, Support - Center	01014071308	1	1	1	1	1	1	1	1
25	Panel, Compressor Partition	01014071301	1	1	1	1	1	1	1	1
26	Control Box Assembly, 3.6 kW Fixed Heater (PTAC)	50044077130	1							
26	Control Box Assembly, 3.6 kW Fixed Heater (PTAC)	50044081076			1					
26	Control Box Assembly, 3.6 kW Fixed Heater (PTAC)	50044077131					1			
26	Control Box Assembly, 3.6 kW Fixed Heater (PTAC)	50044077132							1	
26	Control Box Assembly, 2.4 kW Fixed Heater (PTAC)	50044083162	1							
26	Control Box Assembly, 2.4 kW Fixed Heater (PTAC)	50044083163			1					
26	Control Box Assembly, Universal Heater (PTAC)	50044083171					1			
26	Control Box Assembly, Universal Heater (PTAC)	50044083172							1	
26	Control Box Assembly, 2.4 kW Fixed Heater (PTAC)	50044083166		1						
26	Control Box Assembly, 2.4 kW Fixed Heater (PTAC)	50044083167				1				
26	Control Box Assembly, Universal Heater (PTAC)	50044083175						1		
26	Control Box Assembly, Universal Heater (PTAC)	50044083176								1
26	Control Box Assembly, 3.6 kW Fixed Heater (PTAC)	50044083139		1						
26	Control Box Assembly, 3.6 kW Fixed Heater (PTAC)	50044083140				1				
26	Control Box Assembly, 3.6 kW Fixed Heater (PTAC)	50044083141						1		
26	Control Box Assembly, 3.6 kW Fixed Heater (PTAC)	50044083142								1
26	Control Box Assembly, 3.6 kW Fixed Heater (PTHP)	50044077133	1							
26	Control Box Assembly, 3.6 kW Fixed Heater (PTHP)	50044081077			1					
26	Control Box Assembly, 3.6 kW Fixed Heater (PTHP)	50044077134					1			
26	Control Box Assembly, 3.6 kW Fixed Heater (PTHP)	50044077135							1	
26	Control Box Assembly, 2.4 kW Fixed Heater (PTHP)	50044083164	1							
26	Control Box Assembly, 2.4 kW Fixed Heater (PTHP)	50044083165			1					
26	Control Box Assembly, Universal Heater (PTHP)	50044083173					1			
26	Control Box Assembly, Universal Heater (PTHP)	50044083174							1	
26	Control Box Assembly, 3.6 kW Fixed Heater (PTHP)	50044083143		1						

# PTAC/PTHP ComfortPac

## Components List

Ref. No.	Description	Part Number	Size/Voltage										
			07		09		12		15				
			208V/230V	265V	208V/230V	265V	208V/230V	265V	208V/230V	265V			
26	Control Box Assembly, 3.6 kW Fixed Heater (PTHP)	50044083144				1							
26	Control Box Assembly, 3.6 kW Fixed Heater (PTHP)	50044083145						1					
26	Control Box Assembly, 3.6 kW Fixed Heater (PTHP)	50044083146											1
26	Control Box Assembly, 2.4 kW Fixed Heater (PTHP)	50044083168	1										
26	Control Box Assembly, 2.4 kW Fixed Heater (PTHP)	50044083169				1							
26	Control Box Assembly, Universal Heater (PTHP)	50044083177						1					
26	Control Box Assembly, Universal Heater (PTHP)	50044083178											1
26a	Control Box Top, Sheet Metal (Mounts OEM Touch-pad)	50014096643	1	1	1	1	1	1	1	1	1	1	1
27	Control Module, Main (PTAC)	50049023645	1		1		1		1		1		
27	Control Module, Main (PTAC)	50049025664		1		1		1		1		1	
27	Control Module, Main (PTHP)	50049023646	1		1		1		1		1		
27	Control Module, Main (PTHP)	50049025665		1		1		1		1		1	
N/S	Control Module, CN5 Wire Harness (to Touch-pad Wire Harness)	2030R00026	1	1	1	1	1	1	1	1	1	1	1
28	Top Panel Assembly	01014071311	1	1	1	1	1	1	1	1	1	1	1
29	Support Bracket Assembly - Left	50014077162	1	1	1	1	1	1	1	1	1	1	1
30	Support Bracket Assembly - Right	50014077167	1	1	1	1	1	1	1	1	1	1	1
31	Assembly-Front Frame	50124077169	1	1	1	1	1	1	1	1	1	1	1
32	Includes: Panel	*	1	1	1	1	1	1	1	1	1	1	1
33	Grille, Front	*	1	1	1	1	1	1	1	1	1	1	1
	Clip, Panel Front Frame	300039360	2	2	2	2	2	2	2	2	2	2	2
34	Return Air Filter (For Front Panel)	12014073179	2	2	2	2	2	2	2	2	2	2	2
35	Fresh Air Intake Filter (for Damper)	12014073147	1	1	1	1	1	1	1	1	1	1	1
36	Damper Door, Assembly	50124076848	1	1	1	1	1	1	1	1	1	1	1
37	Mesh, Wire Air Discharge Screen	01024074571	1	1	1	1	1	1	1	1	1	1	1
38	Cover, Damper Door	300039383	1	1	1	1	1	1	1	1	1	1	1
39	Bracket, Damper Door	50124076796	1	1	1	1	1	1	1	1	1	1	1

N/S = Not shown on diagram  
 \* Not available as a separate component.

# PTAC/PTHP ComfortPac

## Components List

Ref. No.	Description	Part Number	Size/Voltage									
			07		09		12		15			
			208V/230V	265V	208V/230V	265V	208V/230V	265V	208V/230V	265V		
40	Cap Tube Assembly (PTAC)	50024077171	1	1								
40	Cap Tube Assembly (PTHP)	50024077175	1	1								
40	Cap Tube Assembly (PTAC)	50024077172			1	1						
40	Cap Tube Assembly (PTHP)	50024077176			1	1						
40	Cap Tube Assembly (PTAC)	50024077173					1	1				
40	Cap Tube Assembly (PTHP)	50024077177					1	1				
40	Cap Tube Assembly (PTAC)	50024077174							1	1		
40	Cap Tube Assembly (PTHP)	50024077178							1	1		
42**	Power Cord, Fixed Factory-installed - 15amp 208/230V	062218135	1		1							
42**	Power Cord, Fixed Factory-installed - 20amp 208/230V	062218131	1		1		1		1			
42**	Power Cord, Fixed Factory-installed - 20amp 265V	062218104		1		1		1			1	
N/S	*Power Cord, Univ., Field-installed, 0kW,15 amp, 208/230V	105575512					1		1			
N/S	*Power Cord, Universal, Field-installed, 0kW,20 amp, 265V	062218135						1		1		
N/S	*Power Cord, Univ., Field-installed, 2kW,15 amp, 208/230V	300040734					1		1			
N/S	*Power Cord, Universal, Field-installed, 2kW,20 amp, 265V	300040737						1		1		
N/S	*Power Cord, Univ., Field-installed, 3kW,20 amp, 208/230V	300040735					1		1			
N/S	*Power Cord, Universal, Field-installed, 3kW,20 amp, 265V	300040738						1		1		
N/S	*Power Cord, Univ., Field-installed, 5kW,30 amp, 208/230V	300040736					1		1			
N/S	*Power Cord, Universal, Field-installed, 5kW,20 amp, 265V	300040739						1		1		
N/S	*Power Cord, Universal, Field-installed, 5kW,30 amp, 265V	300040740						1		1		
N/S	Wire Harness Assembly (PTAC)	50139023500	1		1		1		1			
N/S	Wire Harness Assembly (PTHP)	50139023503	1		1		1		1			
N/S	Wire Harness Assembly (PTAC)	50139025718		1		1		1		1		1
N/S	Wire Harness Assembly (PTHP)	50139025720		1		1		1		1		1
43***	Universal Power Plug Molex, Ctrl Box, Main Body	105531101	1	1	1	1	1	1	1	1	1	1
44***	Universal Power Plug Molex, Ctrl Box Terminals, Female	105531701	8	8	8	8	8	8	8	8	8	8
45***	Universal Power Plug Molex, Ctrl Box Retainer Clip	105531201	2	2	2	2	2	2	2	2	2	2
N/S	Capacitor, Compressor, 15 mfd, 440VAC	300039354	1	1	1	1						
N/S	Capacitor, Compressor, 25 mfd, 440VAC	04024012929						1				
N/S	Capacitor, Compressor, 30 mfd, 440VAC	300039355					1					
N/S	Capacitor, Compressor, 35 mfd, 440VAC	04024031244									1	
N/S	Capacitor, Compressor, 45 mfd, 440VAC	300039376								1		
N/S	Capacitor, Fan Motor, Indoor, 1.5 mfd, 440VAC	300039356	1	1	1	1	1	1	1	1	1	1
N/S	Capacitor, Fan Motor, Outdoor, 3.0 mfd, 440VAC	300039358	1	1	1	1	1	1	1	1	1	1
N/S	Capacitor, Fan Motor, Outdoor, 3.5 mfd, 440VAC	300039377										1

N/S = Not shown on diagram

\*Not all units have a separate, field-installed universal power cord. Some have a fixed, factory-installed power cord, that is hard wired into the chassis control box.

\*\*Not all units have fixed, factory-installed power cord. Some have a separate, universal power cord that is field-installed by plugging into the chassis control box.

\*\*\*Used only on units that have a separate, field-installed, universal power cord that plugs into chassis control box.

# PTAC/PTHP ComfortPac

## Components List

Ref. No.	Description	Part Number	Size/Voltage							
			07		09		12		15	
			208V/230V	265V	208V/230V	265V	208V/230V	265V	208V/230V	265V
N/S	Transformer, 230V/24V, 15VA	04189021745	1		1		1		1	
N/S	Transformer, 265V/24V, 15VA	04189021744		1		1		1		1
N/S	Drain Valve (DV10700) (PTHP only)	300039385	1	1	1	1	1	1	1	1
N/S	4-Way Reversing Valve (VH7100B) (PTHP only)	300039419	1	1	1	1	1	1	1	1
N/S	Return Air Sensor Clip,Coil-mounted	12014016707	1	1	1	1	1	1	1	1
N/S	Sensor, Return Air, Assembly	300042647	1	1	1	1	1	1	1	1
N/S	Sensor, Indoor Coil, Assembly	300042645	1	1	1	1	1	1	1	1
N/S	Sensor, Outdoor Coil, Assembly	300042646	1	1	1	1	1	1	1	1

N/S = Not shown on diagram

### Loose/Optional Parts - Components List

Description	Part Number
OEM Standard Touch-pad Controls - McQuay	300040641
OEM Standard Touch-pad Controls - Remington	300040642
OEM Touch-pad Unit Mounting/Transitional Frame	300040645
Touch-pad w/Motion Sensor - Remington	300040638
Wall Thermostat Decorative Blank-off Cover - McQuay	300040643
Wall Thermostat Decorative Blank-off Cover - Remington	300040644
Infrared Transmitter (McQuay) without Sleep mode	300039387
Wall Mounted OEM Touch-pad Wire Harness, 50 ft.	300039345
Wall Mounted OEM Touch-pad Wire Harness, 35 ft.	300039346
Wall Mounted OEM Touch-pad Wire Harness, 20 ft.	300039347
G11 Handheld Remote	300042886
Motion Sensor, Occupancy, Ceiling Mounted	300042858
Motion Sensor, Occupancy, Wall Mounted	300042859
Switch, Occupancy, Hinged Door Frame, Plunger activated	300042860
Switch, Occupancy, Sliding Door / Window, Magnetic contacts activated	300042861
24v Remote Wall Thermostat Plug Connector Kit (Required for T'stats by others, front-desk control and occupancy sensor)	5030004178
Touch-up Paint, Antique Ivory	061174723
Touch-up Paint, Oxford Brown	061174724

# Critical McQuay OEM Parts Are What Your McQuay HVAC Unit Needs!

## ComfortPac PTAC, PTHP Unit Sizes 07 - 15 Design C

CRITICAL COMPONENTS	MODEL	UNIT SIZE	VOLTAGE	PART NUMBER
<b>COMPRESSOR</b>				
Compressor	ALL	07	208-230/60/1	300039307
Compressor	ALL	07	265/60/1	300039364
Compressor	ALL	09	208-230/60/1	300039308
Compressor	ALL	09	265/60/1	300039365
Compressor	ALL	12	208-230/60/1	300039309
Compressor	ALL	12	265/60/1	300039366
Compressor	ALL	15	208-230/60/1	300039310
Compressor	ALL	15	265/60/1	300039367
<b>INDOOR MOTOR</b>				
Motor	ALL	07	208-230/60/1	03039023609
Motor	ALL	09, 12, 15	208-230/60/1	03039023612
Motor	ALL	07, 09	265/60/1	03039025557
Motor	ALL	12, 15	265/60/1	03039025559
<b>INDOOR BLOWER WHEEL</b>				
Wheel, Tangential	ALL	ALL	N/A	03029023214
<b>OUTDOOR MOTOR</b>				
Motor	ALL	07, 09	208-230/60/1	03039023613
Motor	ALL	12, 15	208-230/60/1	03039023614
Motor	ALL	07, 09	265/60/1	03039025558
Motor	ALL	12, 15	265/60/1	03039025560
<b>OUTDOOR FAN PROPELLER</b>				
Kit (after 204900xx-xxxxx)	ALL	ALL	N/A	50034093549
Kit (up to 204900xx-xxxxx)	ALL	ALL	N/A	300040590
<b>SENSOR</b>				
Sensor, Return Air	ALL	ALL	N/A	300042647
Sensor, Indoor Coil	ALL	ALL	N/A	300042645
Sensor, Outdoor Coil	ALL	ALL	N/A	300042646
<b>TRANSFORMER</b>				
Transformer	ALL	ALL	208-230/60/1	04189021745
Transformer	ALL	ALL	265/60/1	04189021744

Call Your Local McQuay Parts Distributor For All Your Parts Needs.  
To Locate A Distributor, Go To [www.mcquay.com](http://www.mcquay.com) or Call 1-800-37PARTS

