

# K

Series

KW (hydronic)

KE (electric)



FITS 37" WIDE X 13 15/16" SLEEVE

Premium, . . . meet Affordable!

**COMPLETE REPLACEMENT FOR:  
COOLING CHASSIS,  
+ HEATING CHASSIS,  
+ CONTROLS:**

**K, EK, KF, PK** - McQuay®, Singer®, Remington®,  
Islandaire®, Retroaire®



## NEW FOR 2014!

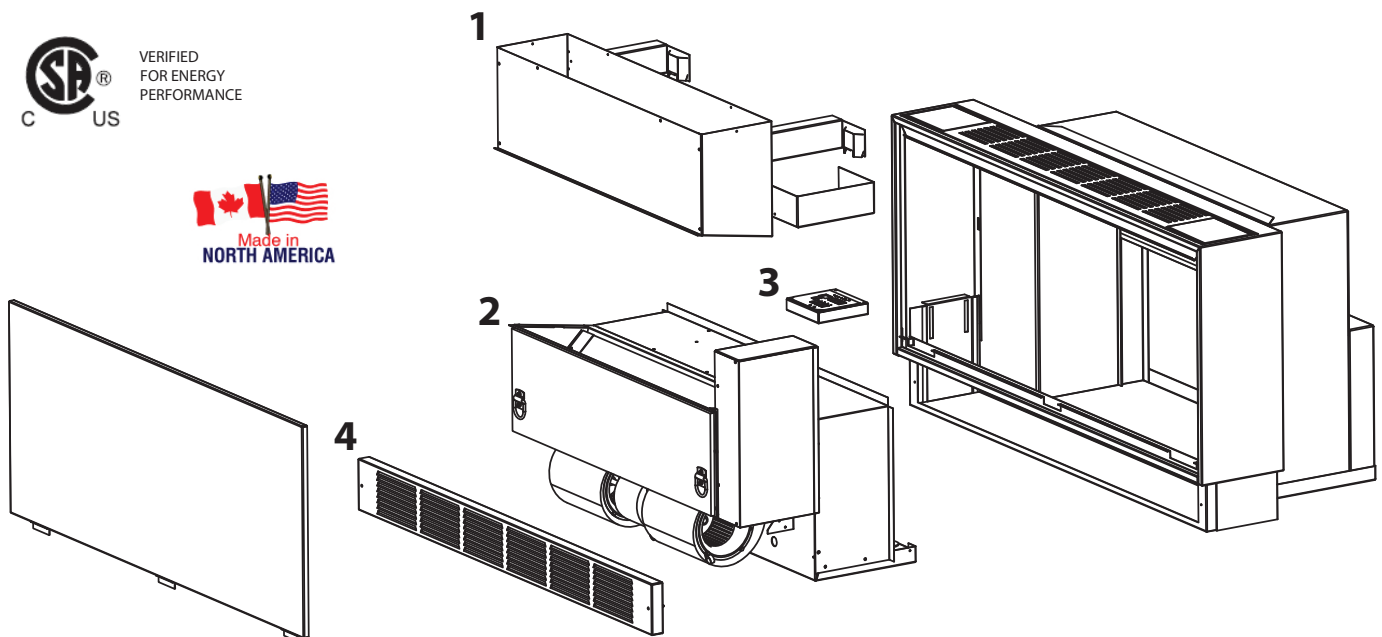
Applied Comfort's new K Chassis is a COMPLETE REPLACEMENT for ALL 3 SECTIONS of the 3-piece K Chassis.

Update the cooling, heating, and controls all at once,  
and at a lower cost than the heating or cooling sections alone.

An innovative design with modern components, provides quiet comfort and class-leading energy efficiency!

**Installation is Easy!** --- remove the old heater section, cooling section, controls and kickplate, and then:

- 1) Slide in Applied Comfort 'air collar' or 'hydronic air collar' and secure to original sleeve.
- 2) Slide in the new Integrated Heating/Cooling/Control chassis under the collar.
- 3) Attach the Applied Comfort 'control box' using the same attachment points as the old controls.
- 4) Install the new 'kickplate grille & filter' onto the original room enclosure.



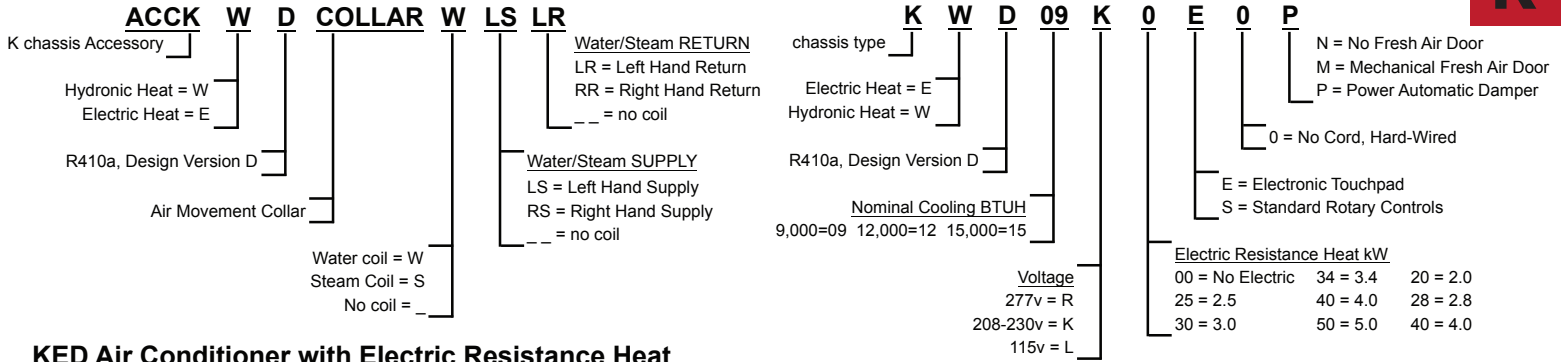
Premium

[www.airdistributors.com/applied-comfort-k-ptac.cfm](http://www.airdistributors.com/applied-comfort-k-ptac.cfm)

Affordable



NOTE: An Air Collar (ACCK) must be ordered along with the appropriate chassis (KED or KWD).



### KED Air Conditioner with Electric Resistance Heat

Model	Voltage	Hz	Min. Circuit Amps	MOP* Fuse Amps	Electrical Plug (NEMA)	Cooling					Resistance Heat			Indoor CFM HIGH°	Indoor CFM LOW°	Vent** CFM	Net Wt. lbs.	Ship Wt. lbs.
						BTU/Hr.	EER	Amps	S/T	Pts./hr.	BTU/Hr.	kW	Amps					
KED09L00	115	60	12.4	15	hard-wired	9400	10.2	9.8	0.77	1.9	N/A	N/A	N/A	270	240	90	138	143
KED12L00	"	"	15.4	20	"	11800	9.4	12.5	0.76	3.2	N/A	N/A	N/A	300	250	"	"	"
KED09K00	230 - 208	"	5.8	15	hard-wired	9400	10.2	4.8/5.0	0.77	2.7	N/A	N/A	N/A	270	240	"	"	"
KED09K25	"	"	14.3	"	"	"	"	"	"	"	8900/7300	2.5/2.1	11.4/10.4	"	"	"	"	"
KED09K34	"	"	19.2	20	"	"	"	"	"	"	12000/9900	3.4/2.8	15.3/14.0	"	"	"	"	"
KED09K50	"	"	27.9	30	"	"	"	"	"	"	17400/14300	5/4.1	22.3/20.3	"	"	"	"	"
KED12K00	"	"	7.7	15	"	11800	9.4	6.2/6.5	0.76	3.2	N/A	N/A	N/A	300	250	"	"	"
KED12K25	"	"	14.3	"	"	"	"	"	"	"	8900/7300	2.5/2.1	11.4/10.4	"	"	"	"	"
KED12K34	"	"	19.2	20	"	"	"	"	"	"	12000/9900	3.4/2.8	15.3/14.0	"	"	"	"	"
KED12K50	"	"	27.9	30	"	"	"	"	"	"	17400/14300	5/4.1	22.3/20.3	"	"	"	"	"
KED15K00	"	"	9.4	15	"	13300	8.6	7.8/8.2	0.75	4.7	N/A	N/A	N/A	300	250	"	"	"
KED15K25	"	"	14.3	"	"	"	"	"	"	"	8900/7300	2.5/2.1	11.4/10.4	"	"	"	"	"
KED15K34	"	"	19.2	20	"	"	"	"	"	"	12000/9900	3.4/2.8	15.3/14.0	"	"	"	"	"
KED15K50	"	"	27.9	30	"	"	"	"	"	"	17400/14300	5/4.1	22.3/20.3	"	"	"	"	"
KED09R00	277	"	5.5	15	hard-wired	9400	10.2	4.1	0.77	1.9	N/A	N/A	N/A	300	250	"	"	"
KED09R20	"	"	9.5	"	"	"	"	"	"	"	7200	2.0	7.6	"	"	"	"	"
KED09R30	"	"	14	"	"	"	"	"	"	"	10600	3.0	11.2	"	"	"	"	"
KED09R40	"	"	18.5	20	"	"	"	"	"	"	14000	4.0	14.8	"	"	"	"	"
KED12R00	"	"	6.5	15	"	11800	9.4	5.5	0.76	2.7	N/A	N/A	N/A	"	"	"	"	"
KED12R20	"	"	9.5	"	"	"	"	"	"	"	7200	2.0	7.6	"	"	"	"	"
KED12R30	"	"	14	"	"	"	"	"	"	"	10600	3.0	11.2	"	"	"	"	"
KED12R40	"	"	18.5	20	"	"	"	"	"	"	14000	4.0	14.8	"	"	"	"	"
KED15R00	"	"	8.1	15	"	13300	8.6	6.7	0.75	4.2	N/A	N/A	N/A	"	"	"	"	"
KED15R20	"	"	9.5	"	"	"	"	"	"	"	7200	2.0	7.6	"	"	"	"	"
KED15R30	"	"	14	"	"	"	"	"	"	"	10600	3.0	11.2	"	"	"	"	"
KED15R40	"	"	18.5	20	"	"	"	"	"	"	14000	4.0	14.8	"	"	"	"	"

\*Time Delay Fuse or HCAR Circuit Breaker ---- \*Dry Coil.

### KWD Air Conditioner with Hydronic Heat

Model	Voltage	Hz	Min. Circuit Amps	MOP* Fuse Amps	Electrical Plug (NEMA)	Cooling					Resistance Heat			Indoor CFM HIGH°	Indoor CFM LOW°	Vent CFM	Net Wt. lbs.	Ship Wt. lbs.
						BTU/Hr.	EER	Amps	S/T	Pts./hr.	BTU/Hr.	kW	Amps					
KWD09L00	115	60	13	15	hard-wired	9400	10.2	9.8	0.77	1.9	N/A	N/A	N/A	265	235	90	140	145
KWD12L00	"	"	16.2	20	"	11800	9.4	12.5	0.76	3.2	N/A	N/A	N/A	290	245	"	"	"
KWD09K00	230 - 208	"	6.2	15	hard-wired	9400	10.2	4.8/5.0	0.77	2.7	N/A	N/A	N/A	265	235	"	"	"
KWD12K00	"	"	8.1	"	"	11800	9.4	6.2/6.5	0.76	3.2	N/A	N/A	N/A	290	245	"	"	"
KWD15K00	"	"	9.8	"	"	13300	8.6	7.8/8.2	0.75	4.7	N/A	N/A	N/A	"	"	"	"	"
KWD09R00	277	"	5.7	15	hard-wired	9400	10.2	4.1	0.77	2.7	N/A	N/A	N/A	265	235	"	"	"
KWD12R00	"	"	6.8	"	"	11800	9.4	5.5	0.76	3.2	N/A	N/A	N/A	290	245	"	"	"
KWD15R00	"	"	8.4	"	"	13300	8.6	6.7	0.75	4.7	N/A	N/A	N/A	"	"	"	"	"

\*Time Delay Fuse or HCAR Circuit Breaker ---- \*Dry Coil

Model	Voltage	Hz	Hot Water Heat HIGH SPEED	Hot Water Heat LOW SPEED	Water Flow Rate	Coil Pressure Drop (HIGH SPEED)	Steam Heat HIGH SPEED	Steam Heat LOW SPEED	Heating Current
			BTU/Hr.	BTU/Hr.	USGPM	Ft of Water	BTU/Hr.	BTU/Hr.	Amps
KWD09L00	115	60	17200	16100	1.8	1.8	21100	19600	<1
KWD12L00	"	"	18500	17400	1.9	1.9	22600	21100	"
KWD09K00	230 - 208	"	17600/17000	16800/15600	1.8 - 1.7	1.8 - 1.6	21500/20800	20500/19000	"
KWD12K00	"	"	18800/18300	17700/17200	1.9 - 1.9	2.0 - 1.8	22900/22300	21600/20800	"
KWD15K00	"	"	18800/18300	17700/17200	1.9 - 1.9	2.0 - 1.8	22900/22300	21600/20800	"
KWD09R00	277	"	18500	17400	1.9	1.8	22600	21100	"
KWD12R00	"	"	"	"	"	"	"	"	"
KWD15R00	"	"	"	"	"	"	"	"	"

Maximum Steam Pressure: 2 psig ---- Steam ratings based on conditions of 70°F entering air, and 2 psig steam pressure with heat output automatically adjusting for blower speed.  
Maximum Water Temperature: 210°F ---- HIGH SPEED Water ratings based on ASHRAE/AHRI conditions of 70°F entering air, 200°F entering water and 180°F leaving water temperatures.  
LOW SPEED Water ratings based on water flow rate set for HIGH SPEED rating condition operating point.



VERIFIED FOR ENERGY PERFORMANCE

