

Certified Drawing --- Type: NFEC --- Date: JULY 2014 --- Applied Comfort Products Inc. --- www.ptacs.com --- 1.877.227.7822 -- Applied Comfort Packaged Terminal Air Conditioner with Electric Resistance Heat -- 16" x 42" Model NFEC Flat Top

General Specifications

Heating/Cooling Chassis. – CSA safety verified, and 3rd party Energy Performance Verification via CSA/ETL labs. Complete air cooled refrigeration system with R-410A refrigerant, two low noise high-static pressure dual-inlet evaporator blowers, and one dual-inlet condensate blower with efficient dual-action condensate removal system. Electric resistance heat (optional) uses tube-in-coil heaters. Power cord exists from under right side.

Digital Touchpad Control – The NFE Digital Control is used to control the integral air conditioner and heat source via a touchpad, or optional remote 24-volt wall mounted thermostats. Chassis comes with standard 7 wire connection for thermostats; control by external thermostat is switched using dip switches.

Wall Sleeve – Industry standard 16" x 42", made of galvanized, phosphatized, heavy-gauge steel. Coated with electrostatically applied, baked on, industry standard beige urethane powder paint for maximum corrosion protection.

Room Cabinet – Integrated powder-coated beige cabinet with stamped grille powder-coated black. Enclosure completely encloses controls. Powder-coated metal front panel is removable without use of tools. Color is industry-standard beige.

Electric heat Section – Consists of high mass, low surface temperature, fin-tube type electric heater(s) with high limit cut-out.

Power Cord – LCDI power cord is supplied with 208/230V chassis, and standard non-LCDI with 277V chassis.

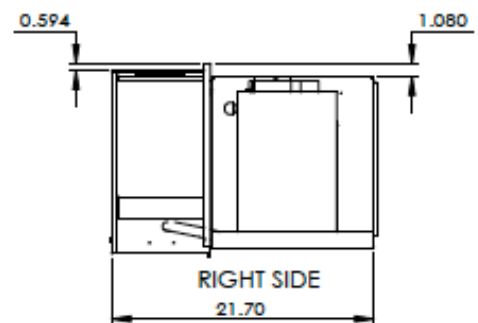
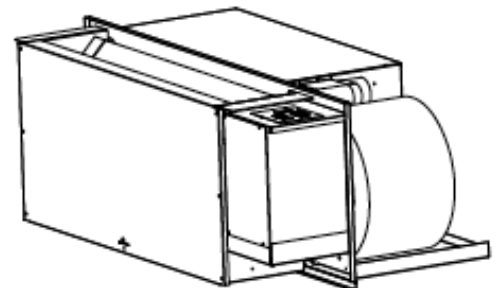
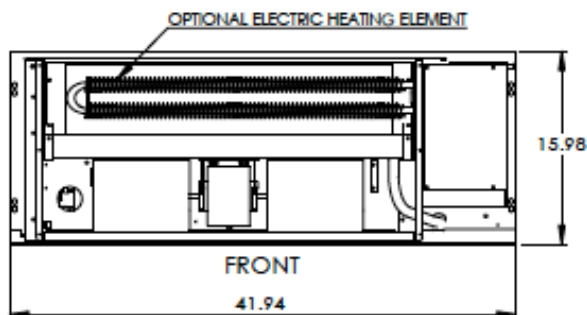
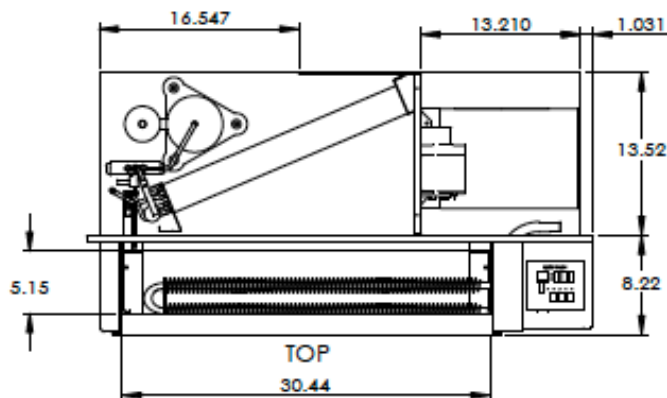
Louvers – Architectural type with silver powder-coating baked on. Optional stamped powder-coated aluminum grilles.

Power Air Damper for Fresh Air (optional) – A power motorized door for fresh air opens when evaporator blowers are energized, and automatically closes when the evaporator blower is not energized.

4" Skirt With Outlet (optional) – Skirt 4" high, with electrical power outlet, mounts to bottom of sleeve. Color is industry-standard beige.

Extendaire Duct Kit (optional) – Powder-coated beige, insulated metal ducting. The evaporator blowers are designed for high-static pressure applications making them ideal for ducting.

Dimensional Data -- Chassis



Certified Drawing --- Type: NFEC --- Date: JULY 2014 --- Applied Comfort Products Inc. --- www.ptacs.com --- 1.877.227.7822 -- Applied Comfort Packaged Terminal Air Conditioner with Electric Resistance Heat -- 16" x 42" Model NFEC Flat Top

Performance Data – 3rd Party Lab Verified by ETL Labs

NFEC Air Conditioner with Electric Resistance Heat -- FLAT-TOP Configuration

CORD-CONNECTED. LCDI full-length Cord for connection to remote receptacle.

Model	Voltage	Hz	Min. Circuit Amps	MOP* Fuse Amps	Electrical Plug (NEMA)	Cooling					Resistance Heat			Indoor CFM HIGH*	Indoor CFM LOW*	Vent CFM	Net Wt. lbs.
						BTU/Hr.	EER	Amps	S/T	Pts./hr.	BTU/Hr.	kW	Amps				
NFEC07L00E6	115	60	8.3	15	#5-15P	7300	11.8	6.4	0.83	1.1	N/A	N/A	N/A	325	280	90	172
NFEC09L00E6	"	"	11.9	15	#5-15P	9600	11.3	8.4	0.79	1.9	N/A	N/A	N/A	380	335	"	"
NFEC12L00E7	"	"	16.3	20	#5-20P	12600	10.6	12.0	0.71	3.3	N/A	N/A	N/A	"	"	"	"
NFEC07K00E6	230 - 208	"	4.1	15	#6-15P	7300	11.8	3.2/3.4	0.79	1.9	N/A	N/A	N/A	340/315	305/265	"	"
NFEC07K16E6	"	"	9.2	15	#6-15P	"	"	"	"	"	5700/4700	1.6/1.3	7.4/6.7	"	"	"	"
NFEC07K25E6	"	"	14.2	15	#6-15P	"	"	"	"	"	8900/7300	2.5/2.1	11.4/10.4	"	"	"	"
NFEC07K34E7	"	"	19.1	20	#6-20P	"	"	"	"	"	12000/9900	3.4/2.8	15.3/14.0	"	"	"	"
NFEC09K00E6	230 - 208	"	5.7	15	#6-15P	9600	11.3	4.2/4.4	0.71	3.3	N/A	N/A	N/A	390/375	345/315	"	"
NFEC09K16E6	"	"	9.2	15	#6-15P	"	"	"	"	"	5700/4700	1.6/1.3	7.4/6.7	"	"	"	"
NFEC09K25E6	"	"	14.2	15	#6-15P	"	"	"	"	"	8900/7300	2.5/2.1	11.4/10.4	"	"	"	"
NFEC09K34E7	"	"	19.1	20	#6-20P	"	"	"	"	"	12000/9900	3.4/2.8	15.3/14.0	"	"	"	"
NFEC09K50E8	"	"	27.9	30	#6-30P	"	"	"	"	"	17400/14300	5.0/4.1	22.3/20.3	"	"	"	"
NFEC12K00E6	"	"	8.1	15	#6-15P	12600	10.6	6.0/6.2	0.67	4.4	N/A	N/A	N/A	"	"	"	"
NFEC12K16E6	"	"	9.2	15	#6-15P	"	"	"	"	"	5700/4700	1.6/1.3	7.4/6.7	"	"	"	"
NFEC12K25E6	"	"	14.2	15	#6-15P	"	"	"	"	"	8900/7300	2.5/2.1	11.4/10.4	"	"	"	"
NFEC12K34E7	"	"	19.1	20	#6-20P	"	"	"	"	"	12000/9900	3.4/2.8	15.3/14.0	"	"	"	"
NFEC12K50E8	"	"	27.9	30	#6-30P	"	"	"	"	"	17400/14300	5.0/4.1	22.3/20.3	"	"	"	"
NFEC15K00E6	"	"	9.9	15	#6-15P	14800	9.8	7.5/7.7	0.67	4.4	N/A	N/A	N/A	"	"	"	"
NFEC15K16E6	"	"	9.2	15	#6-15P	"	"	"	"	"	5700/4700	1.6/1.3	7.4/6.7	"	"	"	"
NFEC15K25E6	"	"	14.2	15	#6-15P	"	"	"	0.79	1.9	8900/7300	2.5/2.1	11.4/10.4	"	"	"	"
NFEC15K34E7	"	"	19.1	20	#6-20P	"	"	"	"	"	12000/9900	3.4/2.8	15.3/14.0	"	"	"	"
NFEC15K50E8	"	"	27.9	30	#6-30P	"	"	"	"	"	17400/14300	5/4.1	22.3/20.3	"	"	"	"
NFEC17K00E6	"	"	12.2	15	#6-15P	16100	8.4	9.2/9.4	0.66	5.0	N/A	N/A	N/A	435/425	395/375	"	"
NFEC17K16E6	"	"	12.2	15	#6-15P	"	"	"	"	"	5700/4700	1.6/1.3	7.4/6.7	"	"	"	"
NFEC17K25E6	"	"	14.3	15	#6-15P	"	"	"	"	"	8900/7300	2.5/2.1	11.4/10.4	"	"	"	"
NFEC17K34E7	"	"	19.2	20	#6-20P	"	"	"	"	"	12000/9900	3.4/2.8	15.3/14.0	"	"	"	"
NFEC17K50E8	"	"	28.0	30	#6-30P	"	"	"	"	"	17400/14300	5.0/4.1	22.3/20.3	"	"	"	"

PERMANENTLY CONNECTED. SUB-BASE Connected. Non-LCDI cord plugs into hard-wired protected receptacle in Sub-base.

Model	Voltage	Hz	Min. Circuit Amps	MOP* Fuse Amps	Electrical Plug (NEMA)	Cooling					Resistance Heat			Indoor CFM HIGH*	Indoor CFM LOW*	Vent CFM	Net Wt. lbs.
						BTU/Hr.	EER	Amps	S/T	Pts./hr.	BTU/Hr.	kW	Amps				
NFEC07R00E2	277	"	3.7	15	#7-20P	7300	11.8	3.0	0.90	0.7	N/A	N/A	N/A	380	335	90	172
NFEC07R20E2	"	"	9.5	"	"	"	"	"	"	"	7200	2.0	7.6	"	"	"	"
NFEC07R30E2	"	"	14.0	"	"	"	"	"	"	"	10600	3.0	11.2	"	"	"	"
NFEC07R40E2	"	"	18.5	20	"	"	"	"	"	"	14000	4.0	14.8	"	"	"	"
NFEC09R00E2	"	"	5.4	15	"	9600	11.3	4.0	0.79	1.9	N/A	N/A	N/A	"	"	"	"
NFEC09R20E2	"	"	9.5	"	"	"	"	"	"	"	7200	2.0	7.6	"	"	"	"
NFEC09R30E2	"	"	14.0	"	"	"	"	"	"	"	10600	3.0	11.2	"	"	"	"
NFEC09R40E2	"	"	18.5	20	"	"	"	"	"	"	14000	4.0	14.8	"	"	"	"
NFEC12R00E2	"	"	7.2	15	"	12600	10.6	5.3	0.71	3.3	N/A	N/A	N/A	"	"	"	"
NFEC12R20E2	"	"	9.5	"	"	"	"	"	"	"	7200	2.0	7.6	"	"	"	"
NFEC12R30E2	"	"	14.0	"	"	"	"	"	"	"	10600	3.0	11.2	"	"	"	"
NFEC12R40E2	"	"	18.5	20	"	"	"	"	"	"	14000	4.0	14.8	"	"	"	"
NFEC15R00E2	"	"	8.8	15	"	14800	9.8	6.6	0.67	4.4	N/A	N/A	N/A	"	"	"	"
NFEC15R20E2	"	"	9.5	"	"	"	"	"	"	"	7200	2.0	7.6	"	"	"	"
NFEC15R30E2	"	"	14.0	"	"	"	"	"	"	"	10600	3.0	11.2	"	"	"	"
NFEC15R40E2	"	"	18.5	20	"	"	"	"	"	"	14000	4.0	14.8	"	"	"	"
NFEC17R00E2	"	"	10.4	15	"	16100	8.4	8.1	0.66	5.0	N/A	N/A	N/A	425	395	"	"
NFEC17R20E2	"	"	10.4	"	"	"	"	"	"	"	7200	2.0	7.6	"	"	"	"
NFEC17R30E2	"	"	14.0	"	"	"	"	"	"	"	10600	3.0	11.2	"	"	"	"
NFEC17R40E2	"	"	18.5	20	"	"	"	"	"	"	14000	4.0	14.8	"	"	"	"

*Time Delay Fuse or HCAR Circuit Breaker ---- *Dry Coil ---- 277v models are permanently connected using 20amp non-LCDI cords.
 Based on ASHRAE and AHRI test conditions of 95 degrees F DB / 75 degrees F WB outside, 80 degrees F DB / 67 degrees F WB inside.
 Electric Resistance Heat Watts x 3.41 = Btu/h. Electric Heating Watts and Amps include Indoor Fan Motor.
 Cooling Full Load Amps includes Compressor, IDF and ODF FLA's.
 Electric Heat MCA, Time Delay Fuse and NEMA Receptacle data are based on 240V and 277V.

Note: For 208V installations, a 25Amp Line Fuse is acceptable.

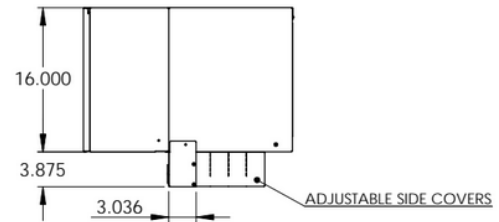
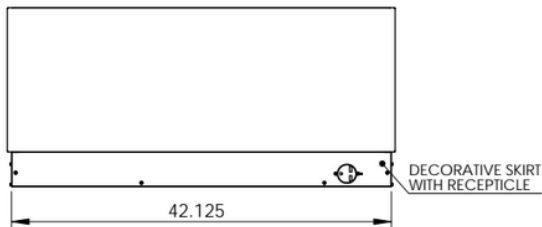
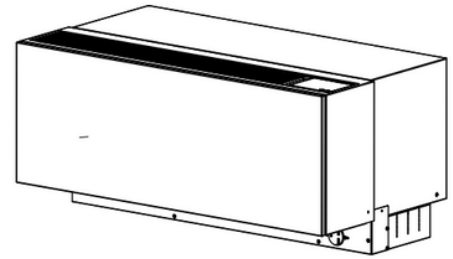
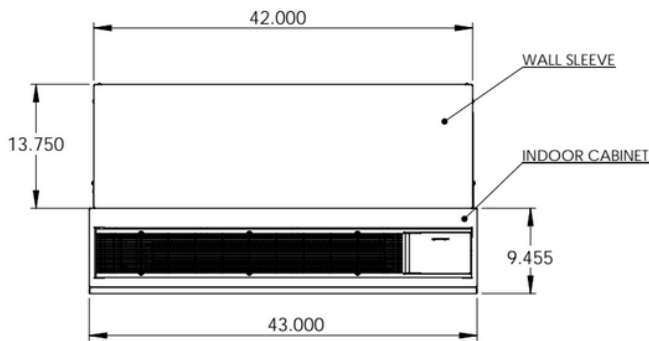
Physical Data

Heating/Cooling Chassis and Front Panel.....140lbs

Certified Drawing --- Type: NFEC --- Date: JULY 2014 --- Applied Comfort Products Inc. --- www.ptacs.com --- 1.877.227.7822 -- Applied Comfort Packaged Terminal Air Conditioner with Electric Resistance Heat -- 16" x 42" Model NFEC Flat Top

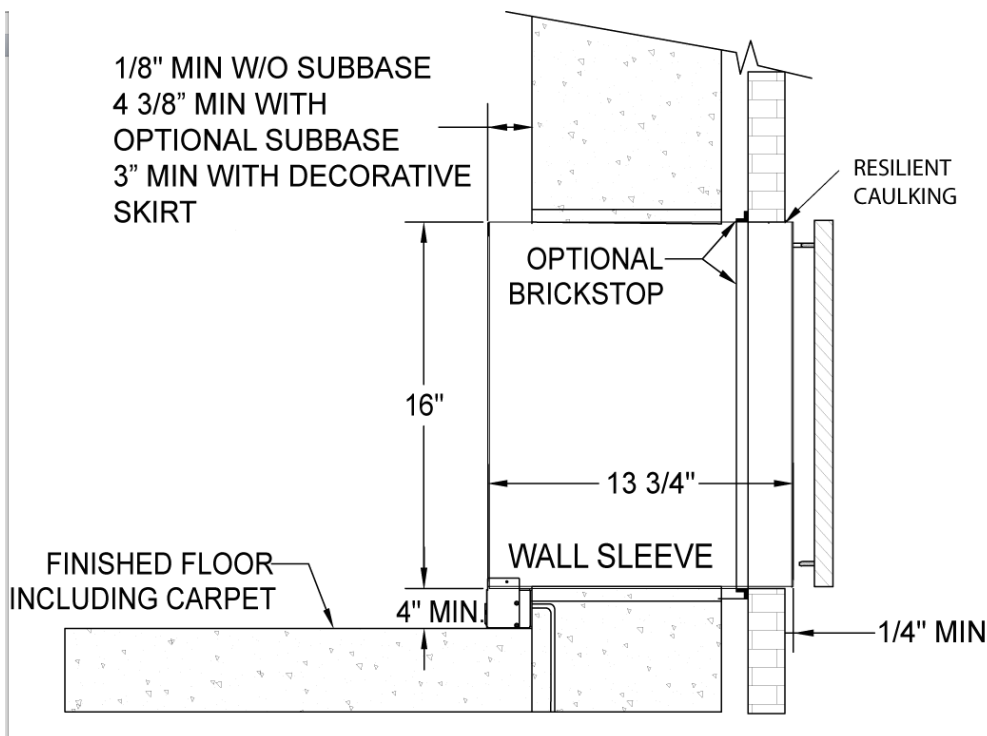
Unit Dimensions - Wall Sleeve, Cabinet

NOTE: Sleeve must be installed a minimum of 4" off the floor.



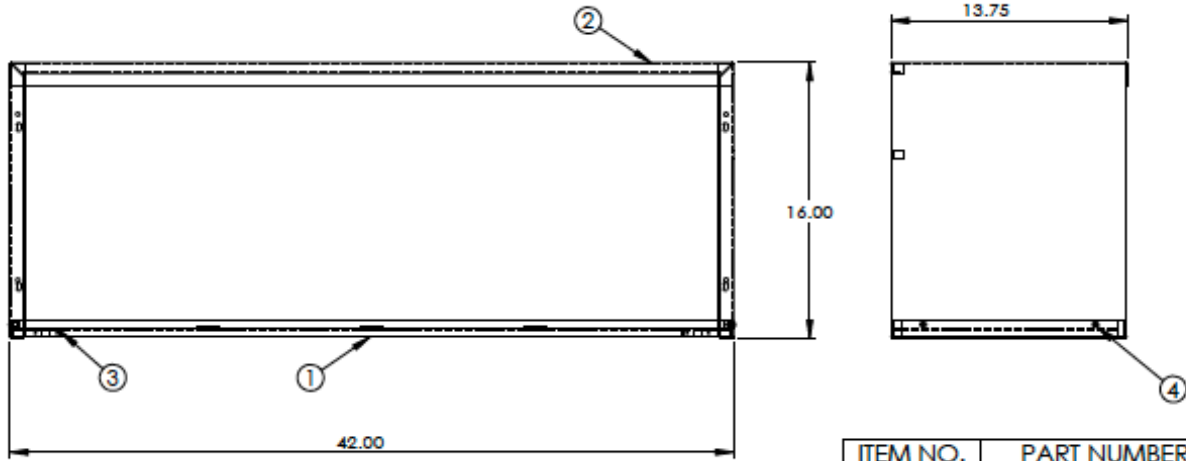
Unit Dimensions - Wall Profile

NOTE: Sleeve must be installed a minimum of 4" off the floor.



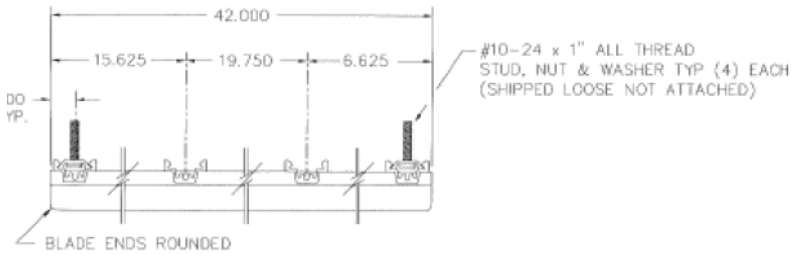
Unit Dimensions – Sleeve

NOTE: Sleeve must be installed a minimum of 4" off the floor.

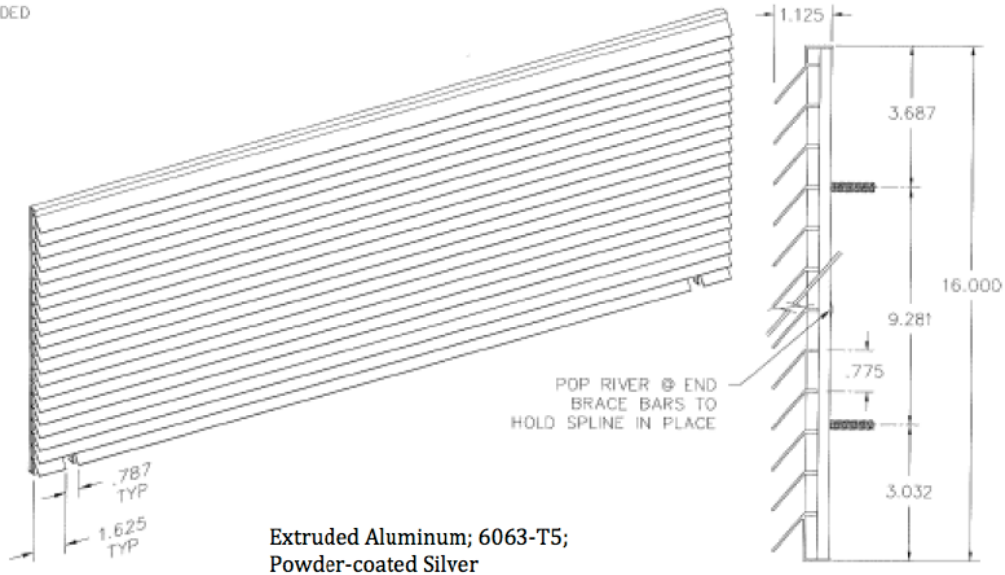


ITEM NO.	PART NUMBER	QTY.
1	802820	1
2	802822	1
3	802821	2
4	85589 SM SCREW	4

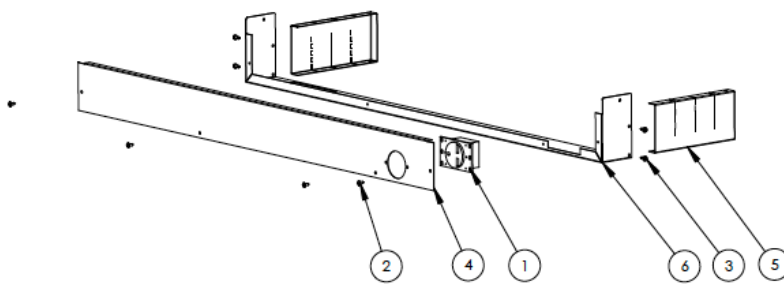
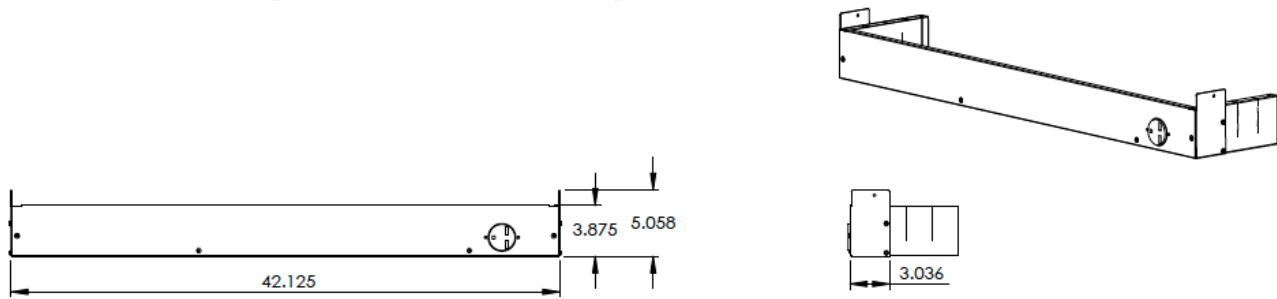
Unit Dimensions – Architectural Grille



APPLIED COMFORT PRODUCTS INC.

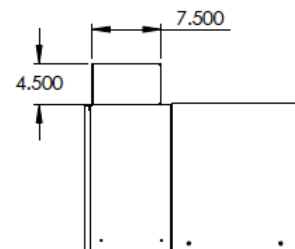
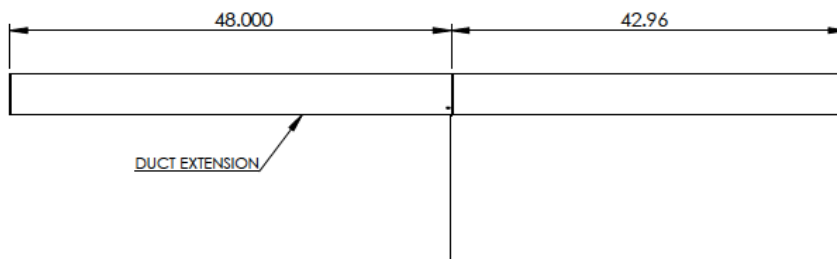
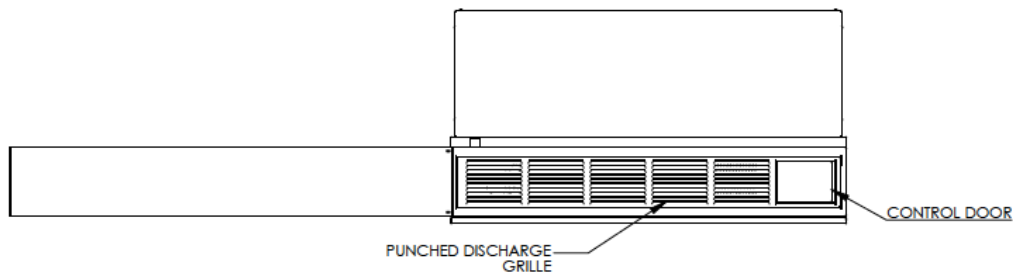


Unit Dimensions - Optional 4" Skirt with Receptacle



ITEM NO.	PART NUMBER	QTY.
1	RECEPTICAL	1
2	85589	4
3	801677	4
4	803508	1
5	803509	2
6	803507	1

Extendaire Duct Kit



Wiring Diagram

