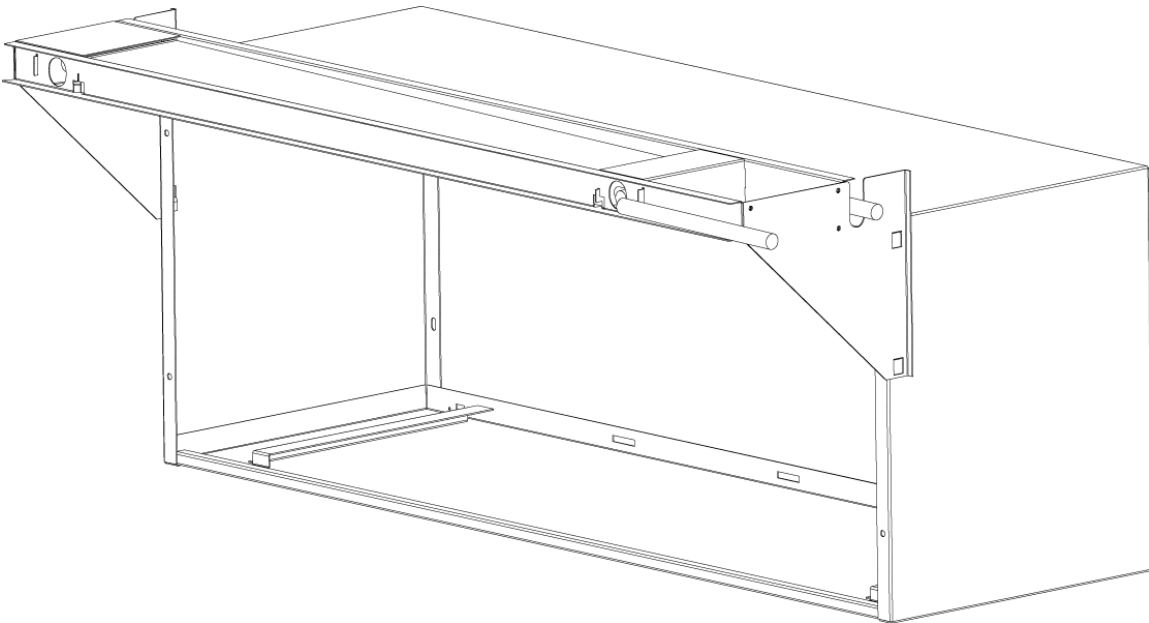


Installation and Maintenance: Hydronic heat section

**Applied Packaged Terminal Air Conditioner
16" x 42" NYWC with top mount Hydronic heat**

Heating coil installation

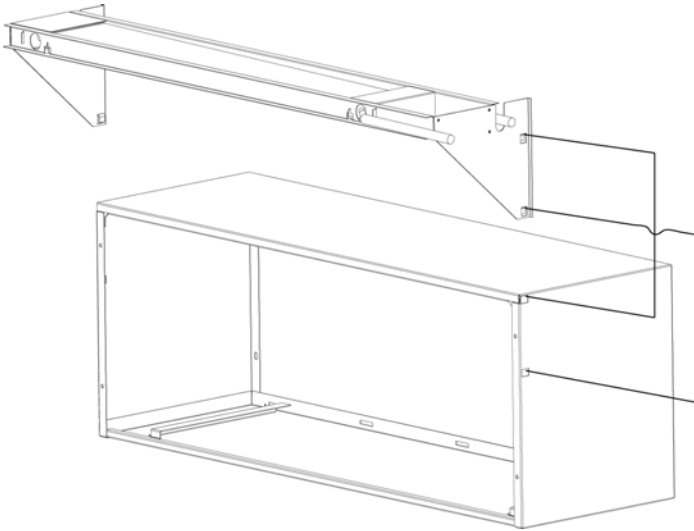


INSTALLATION

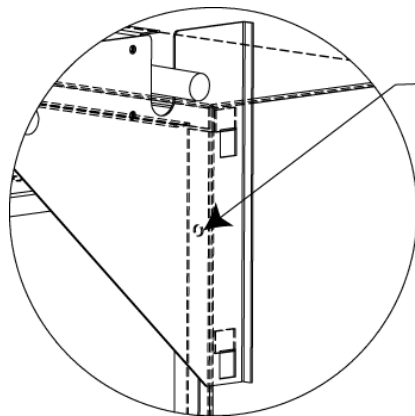
The Hydronic heat section is installed at the top of the wall sleeve (which should have been set in place prior to installing the heat section). Be sure the wall sleeve extends into the room a minimum of 1 3/8" beyond the finished wall surface. Refer to figure 2 which illustrates the placement of the heat section onto the wall sleeve. Note that the side brackets have two tabs on each bracket that are designed to be inserted into the square openings on the top front sides of the wall sleeve.

Attaching the heating section can be completed as follows.

1. Unpack the heating assembly and inspect for any damage. Report any damage found to the carrier immediately.
2. Check the heating coil against the plans to make certain the coil supplied has the connections to match the job specifications.
3. Firmly attach the heat section to the wall sleeve by lining up the side bracket tabs with the square holes provided in the wall sleeve. To secure the heating assembly push down firmly until the notches seat on the bottom of the openings (see detail 3).
4. Solder a shutoff valve to the supply side piping and attach piping as specified. There are seven possible coil arrangements available. Each is shown on the following page. Select the illustration that matches the coil supplied, and pipe it according to the illustration. Use field supplied air vents, steam traps, stop balance valves, aquastat ect., as specified by the design engineer. Refer to the specific installation instructions for each respective component.
5. Plug the electrical connection from the 24VAC Hydronic class 2 valve into the matching harness extending from the control box. Connect the 24VAC class 2 aquastat (if used) according to the specific wiring diagram affixed to the cooling chassis.



DETAIL 2



USE OPTIONAL SHEETMETAL SCREW
TO SECURE BRACKET IF DESIRED
(BOTH SIDES)

DETAIL 3

When heating with steam, the supply connection should be attached to the uppermost tube and the return to the lower tube. The coil is pitched in the casing to allow drainage of condensate.

When heating is done with hot water the supply connection should be attached to the lowermost tube and the return to the uppermost tube. Hot water coils should be “Flooded” to minimize air entrapment.

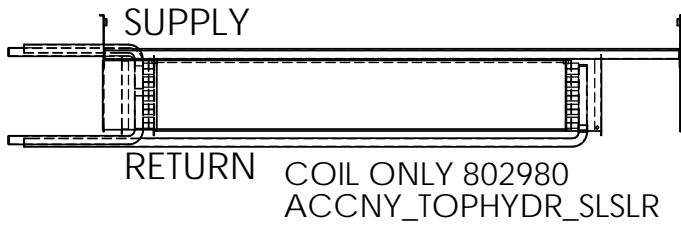
Hydronic piping

1. stub hot water or steam piping through floor prior to installation of room cabinet/wall sleeve
2. After the room cabinet/wall sleeve is installed, complete the piping. Piping must not extend past the room enclosure.
3. Install valve as per engineering drawings. Refer to the installation instructions packed with each valve.
4. After all piping is complete and chassis is installed, connect wiring to the valve.

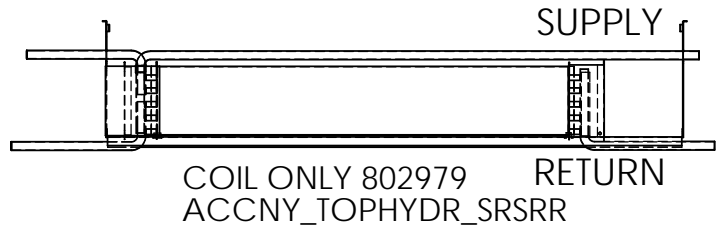
Coil Configurations

STEAM COILS

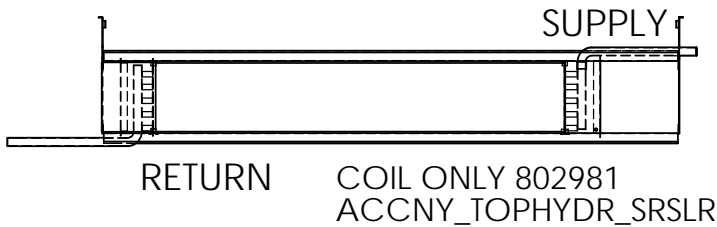
LEFT HAND SUPPLY AND RETURN



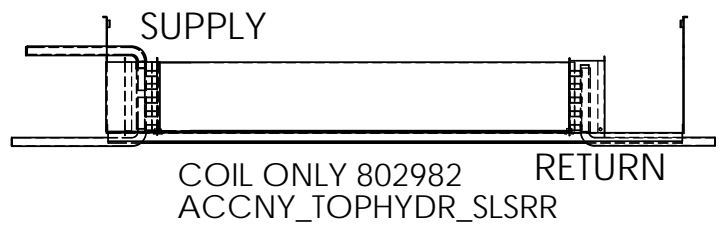
RIGHT HAND SUPPLY AND RETURN



RIGHT HAND SUPPLY
LEFT HAND RETURN

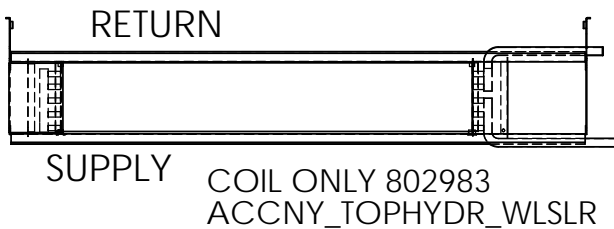


LEFT HAND SUPPLY
RIGHT HAND RETURN

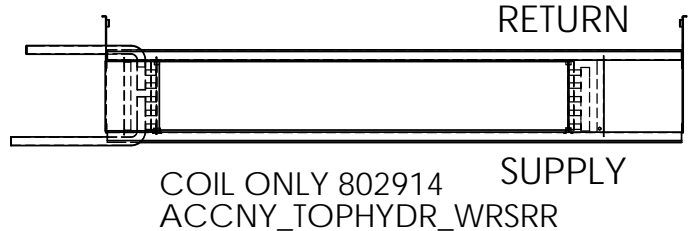


HOT WATER COILS

LEFT HAND SUPPLY AND RETURN



RIGHT HAND SUPPLY AND RETURN



LEFT HAND SUPPLY RIGHT HAND RETURN OR
RIGHT HAND SUPPLY LEFT HAND RETURN

SUPPLY OR RETURN



COIL ONLY 802984
ACCNY_TOPHYDR_WLSRR
ACCNY_TOPHYDR_WRSRLR